

# andis®



Item pictured may differ from actual product  
Il est possible que l'article sur la photo soit différent du produit réel  
El artículo ilustrado puede diferir del producto real  
Das abgebildete Gerät kann sich vom eigentlichen Produkt unterscheiden  
Il prodotto reale può essere diverso da quello rappresentato  
De afbeelding kan verschillen van het werkelijke product  
Item da foto pode diferir do produto real  
图示可能与实际产品不同

**Use & Care Instructions**

**TS-1**

Please read the following instructions before using your new Andis shaver. Give it the care that a fine precision built instrument deserves and it will give you years of service.

## IMPORTANT SAFEGUARDS

When using an electrical appliance, basic precautions should always be followed, including the following: **Read all instructions before using the Andis shaver. This product not for use by children.**

### **DANGER: To reduce the risk of electric shock:**

1. Do not reach for an appliance that has fallen into water. Unplug immediately. Never use appliance near water.
2. Do not use while bathing or in a shower.
3. Do not place or store appliance where it can fall or be pulled into a tub or sink. Do not place in or drop into water or other liquid.
4. Always unplug this appliance from the electrical outlet immediately after using. Unplug by holding and pulling on plug, not cord.
5. Unplug this appliance before cleaning, removing, or assembling parts.

### **WARNING: To reduce the risk of burns, fire, electric shock, or injury to persons:**

1. An appliance should never be left unattended when plugged in.
2. This appliance can be used by children aged from 8 years and above and persons with reduced physical, sensory or mental capabilities or lack of experience and knowledge if they have been given supervision or instruction concerning use of the appliance in a safe way and understand the hazards involved.
3. **CAUTION: Only allow children at least 8 years old to use the battery charger. Give sufficient instruction so that the child is able to use the battery charger in a safe way and explain that it is not a toy and must not be played with.**
4. Instruct the child not to try and recharge non-rechargeable batteries because of the danger of eruption.
5. This appliance is not intended for use by persons (including children) with reduced physical, sensory or mental capabilities, or lack of experience and knowledge, unless they have been given supervision or instruction concerning use of the appliance by a person responsible for their safety.
6. Cleaning and user maintenance shall not be made by children without supervision.
7. Children shall not play with the appliance.
8. Use this appliance only for its intended use as described in this manual. Do not use attachments not recommended by Andis.

9. Never operate this appliance if it has a damaged cord or plug, if it is not working properly, if it has been dropped or damaged, or dropped into water. Return the appliance to an Andis Authorized Service Station for examination or repair.
10. Keep the cord away from heated surfaces.
11. Never drop or insert any object into any opening. Insert only recharging transformer plug into shaver receptacle.
12. Do not use outdoors or operate where aerosol (spray) products are being used or where oxygen is being administered.
13. Do not use this appliance with a damaged or broken foil or cutter, as injury to the skin may occur.
14. Examine the battery charger regularly for damage, especially the cord, plug and enclosure. If the battery charger is damaged, it must not be used until it has been repaired.
15. Always attach plug to appliance first, then to outlet. To disconnect turn control to OFF then remove plug from outlet.
16. The battery in this shaver is designed to provide maximum trouble-free life. However, like all batteries, it will eventually wear out. Do not disassemble shaver and attempt to replace battery.
17. Batteries can be harmful to the environment if disposed of improperly. Many communities offer recycling or battery collection. Contact your local government about disposal practices in your area.
18. When discarding old batteries, cover battery terminals with heavy-duty adhesive tape to prevent short circuits.
- WARNING: Do not attempt to destroy or disassemble shaver or remove any of its components. Also, never touch metal terminals with metal objects and/or body parts, as short circuit may result. Keep away from children. Failure to comply with these warnings could result in fire or serious injury.**
19. **WARNING: For the purpose of recharging the battery, use only the detachable supply unit for model TS-1 provided with the appliance.**
20. This appliance is only supplied at safety extra low voltage corresponding to the marking on the appliance.
21. Keep the appliance dry.

## SAVE THESE INSTRUCTIONS

### UNIVERSAL AC/DC POWER ADAPTER

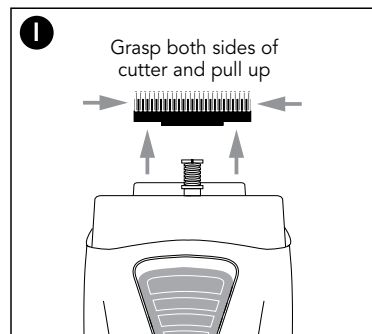
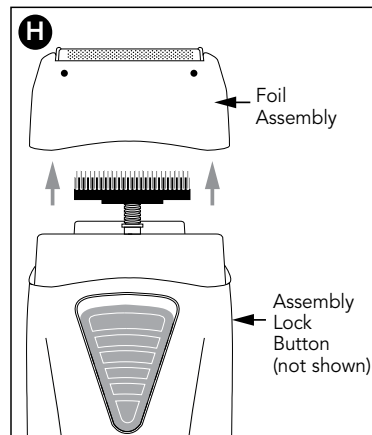
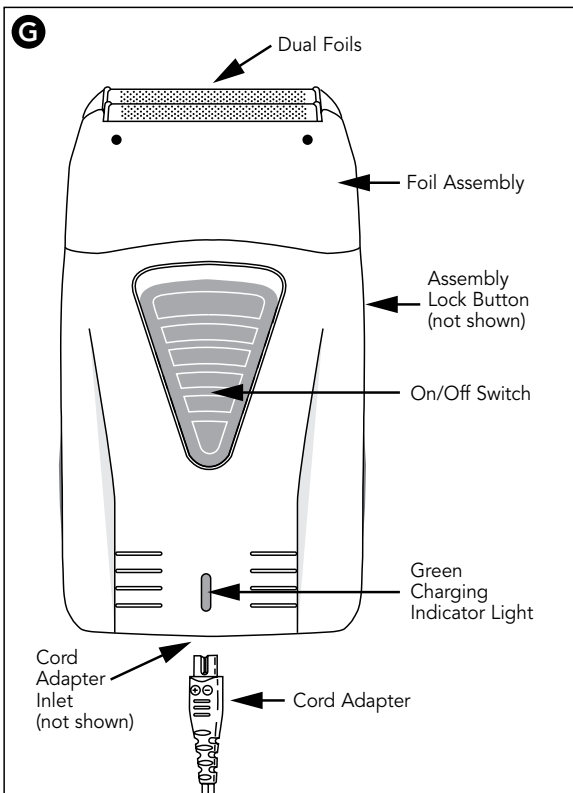
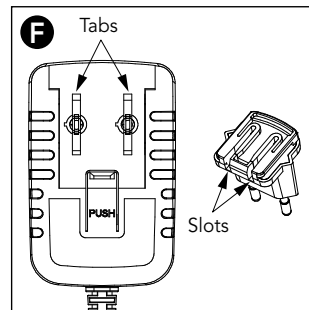
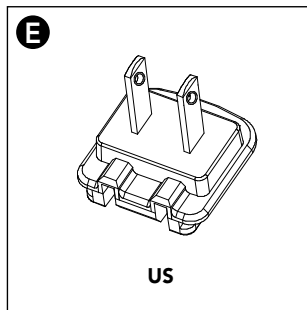
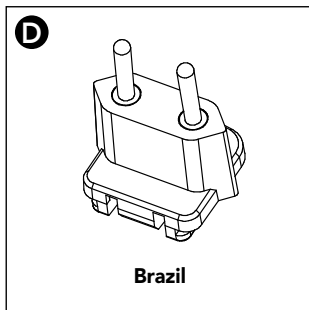
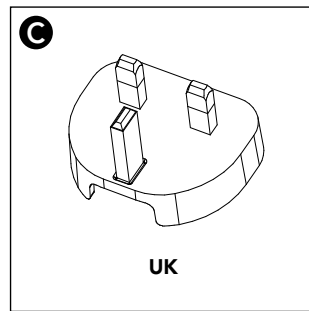
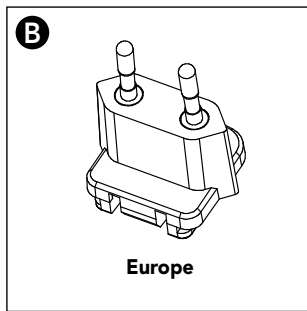
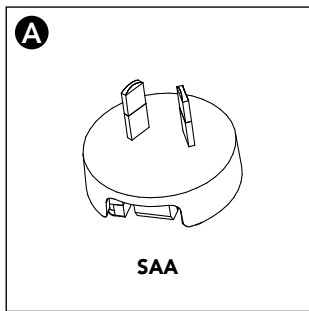
The unit/charging stand is equipped with a universal AC/DC power adapter. Five interchangeable input plugs are included for use in most countries around the world (Figures A-E).

#### REMOVING INPUT PLUG:

1. Unplug AC/DC power adapter from wall outlet.
2. While pressing down on button located on input plug, gently push up on plug until it releases from power adapter.

#### REPLACING INPUT PLUG:

1. To replace input plug, align tabs on the AC/DC power adapter with slots on input plug (Figure F).
2. Gently push input plug into power adapter until it snaps into place.



## OPERATING INSTRUCTIONS

- The battery is not intended to be replaced by the user.
- The battery must be removed from the appliance before it is scrapped.
- The appliance must be disconnected from the supply mains when removing the battery.
- The battery is to be disposed of safely.

### CHARGING SHAVER

The shaver has not been charged at the factory. Please charge the shaver for a minimum of 2 hours before the first use for maximum performance.

This battery charger is intended for use with Andis model TS-1 lithium-ion battery with a rated capacity of 3.7V  $\approx$  2.96 Wh. Remove the shaver and AC adapter from the carton. Plug the adapter into a 100-240V AC outlet, or according to your local power standards. Note that the shaver ON/OFF switch must be in the OFF position for the battery to charge. Plug the cord adapter directly into the inlet on bottom of shaver (Figure G). The green charging indicator light on the shaver will turn on. After battery is fully charged, the green charging indicator light will turn off.

### FAILURE TO CHARGE

1. Make sure voltage is present at the wall outlet (confirm with an appliance you know is working).
2. Check to make sure adapter cord is plugged firmly into shaver.

If failure to charge still exists, return shaver to Andis or an Andis Authorized Service Station for examination and repair or replacement.

### USE WITH CORD ADAPTER

If the shaver powers OFF while in use, the power cord can be attached to continue use in corded operation (Figure G). When the shaver is running with the power cord attached, the green charging indicator light will remain off, even if the battery is partially or fully discharged. The shaver will not charge while in use with the cord attached.

This power unit is intended to be correctly orientated in a vertical or floor mount position.

### FOR SHAVING

1. Keep the unit clean and dry at all times.
2. Remove the protective plastic headguard.
3. Check to make sure the outer foils and inner cutters are not damaged. Replace damaged parts before using. For more information on replacement parts, contact Andis or the nearest Andis Authorized Service Station.
4. Ensure that the battery is charged.
5. Wash and dry your skin thoroughly prior to shaving.
6. Slide the ON/OFF switch up to the ON position.
7. Gently stretch the skin of your face with your free hand while moving the shaver slowly and smoothly against the grain of your beard. Using short, circular strokes will make the hairs stand out from your face and make shaving easier. Hold the shaver at a 90 degree angle to your face while maintaining contact with the foil.
8. In order to achieve the closest shave and avoid unnecessary wear on the foils, **be sure that both foils contact the skin simultaneously at all times.** Holding the shaver at an angle where only one foil contacts the skin will cause distortion of the foil and may result in skin irritation.
9. To facilitate cutting and avoid foil wear, use minimal pressure to apply the shaver to your skin.
10. To maximize shaving comfort, be sure to clean the shaver thoroughly after use.

## USER MAINTENANCE

Cleaning and user maintenance shall not be made by children without supervision.

If shaver is to remain unused for a long period of time, store in a safe, cool, dry place. Do not wrap cord tightly around shaver. Do not hang the shaver by the power cord. Other than the recommended maintenance described in this manual, no other maintenance should be performed, except by Andis Company or an Andis Authorized Service Station.

**IMPORTANT:** For best shaver performance and results, it is recommended that you replace your shaver's foil assembly and cutters every six months.

## TO REPLACE FOIL ASSEMBLY

1. Remove the foil assembly by pressing the round assembly lock button located on the right side of the shaver. Grasp the foil assembly on both sides and gently lift it off the shaver (Figure H).
2. Position the replacement foil assembly over the cutters. Be careful not to damage the foils. Gently slide the foil assembly down until it snaps firmly into place.

## TO REPLACE CUTTERS

**NOTE:** Always replace the foil assembly when replacing the cutters.

1. To remove a cutter, grasp it on both sides and pull up (Figure I).
2. To replace a cutter, hold it on both sides and line up the small metal shaft on its underside with the notch on the shaver drive and push down firmly until it snaps into place.
3. Replace foil assembly.

## CLEANING

Regular cleaning is necessary in order to maintain the optimal performance and maximum comfort from your shaver. Do NOT run shaver, foil assembly or cutters under water. Use only the small brush (included) to clean.

### DRY CLEANING WITH BRUSH

1. Remove the foil assembly by pressing the round button located on the right side of the unit. Grasp the foil assembly on both sides and gently lift it off of shaver (Figure I).
2. Gently tap the base of the foil assembly on a flat surface so that the hairs inside fall out. Do not remove the foils or they may be damaged accidentally.
3. Lightly brush the hairs out from the cutters. You can remove them from the shaver if necessary. Blow out any remaining loose hairs.
4. Replace the cutters and foil assembly.

## USE GUIDELINES FOR LITHIUM-ION BATTERIES

1. The lithium-ion battery included with your shaver does not develop a "memory effect" like a nickel-metal hydride (NiMH), or nickel cadmium (NiCd) battery. You can return the shaver to the charger at any time for a full charge, or even use the battery before a charge cycle is complete. Like most rechargeable batteries, lithium-ion batteries perform best when used frequently.
2. For maximum battery life, store the shaver in a partially discharged condition if the unit will be unused for several months. To discharge the battery, run the shaver until it automatically shuts off.
3. Avoid locating the shaver near heat vents, radiators, or in direct sunlight. Optimum charging will result where the temperature is stable. Sudden increases in temperature can result in the battery receiving less than a full charge.
4. Many factors influence lithium-ion battery life. A battery that has received heavy use or is more than a year old may not give the same run-time performance as a new battery pack.
5. New lithium-ion batteries, unused for a period of time, may not accept a full charge. This is normal and does not indicate a problem with the battery or charger. The battery will accept a full charge after several cycles of shaver use and recharging.
6. Disconnect the charger or the shaver from the AC outlet if extended periods of non-use are anticipated.

## CORRECT BATTERY DISPOSAL

The product you have purchased contains a rechargeable battery. The battery is recyclable. Please dispose of this battery in a responsible manner. Check with your local solid waste officials for the details in your area for recycling options or proper disposal.

## CORRECT DISPOSAL OF THIS PRODUCT

This marking indicates that this product should not be disposed with other household wastes throughout the EU. To prevent possible harm to the environment or human health from uncontrolled waste disposal, recycle it responsibly to promote the sustainable reuse of material resources. To return your used device, please use the return and collection systems or contact the retailer where the product was purchased. They can take this product for environmental safe recycling.



## FACTORY REPAIR SERVICE

When the cutters of your Andis shaver become dull after repeated use, it is advised to purchase a new set of cutters and foil assembly available through your Andis Supplier or through an Andis Authorized Service Station. If you wish your shaver to be serviced as well, it should be carefully packed and mailed either Parcel Post Insured, or U.P.S. to any of the Service Centers. **If you have a problem contacting your Andis supplier contact the Andis Company customer service department at 1-262-884-2600 or email at info@andisco.com. To find an Andis Authorized Service Station near you log on to www.andis.com or contact our customer service department by phone at 1-262-884-2600, or by email at info@andisco.com.**

## FRANÇAIS

Lire les instructions suivantes avant d'utiliser la rasoir Andis. Si cet appareil est traité comme un instrument de précision, il devrait donner des années de bons services.

## MESURES DE PRECAUTION IMPORTANTES

Avant de mettre en marche la rasoir Andis, bien lire toutes les instructions et, comme pour tout appareil électrique, l'utiliser en prenant systématiquement les mesures de précaution de base.

**Ce produit ne doit pas être utilisé par les enfants.**

## DANGER : Pour réduire le risque de décharge électrique :

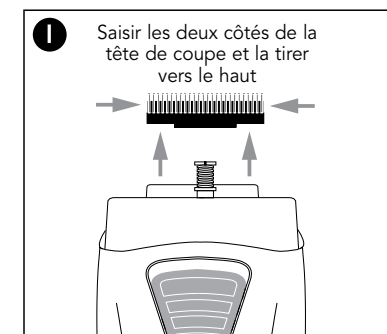
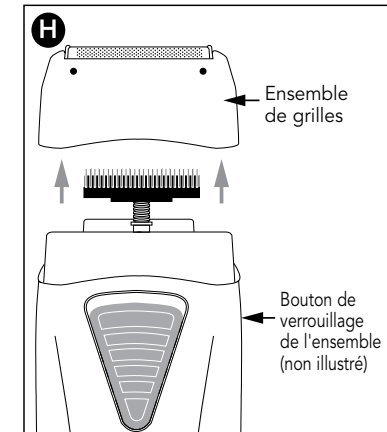
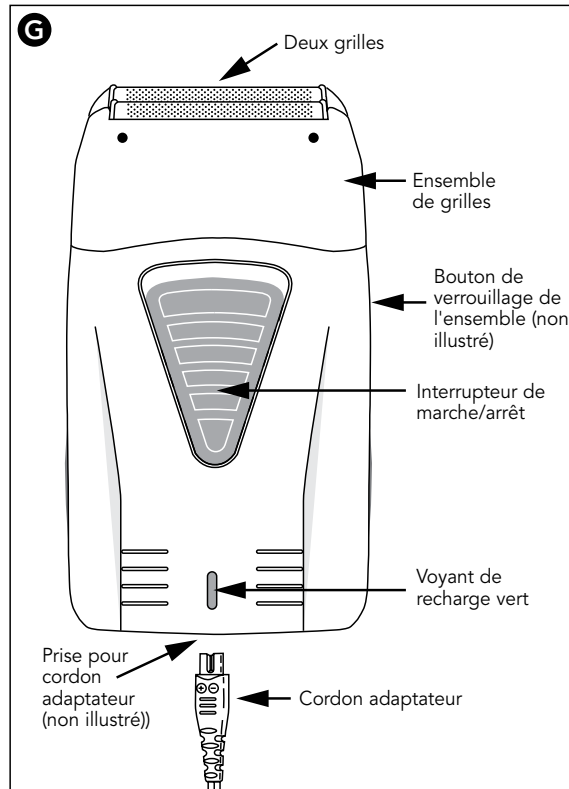
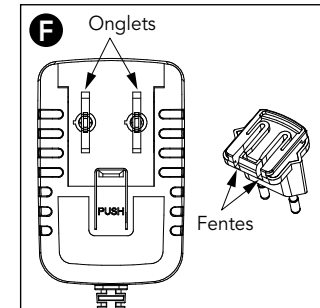
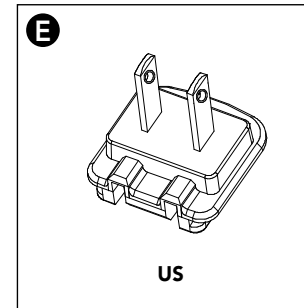
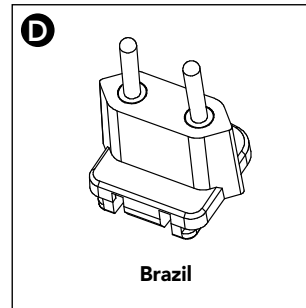
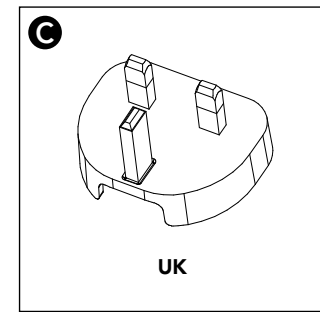
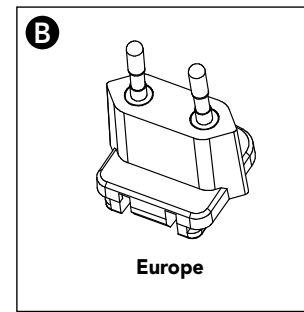
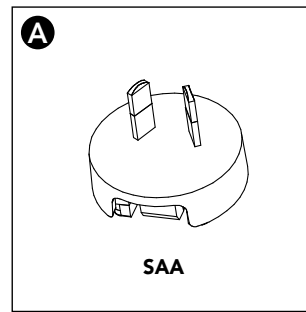
1. Lorsqu'un appareil électrique est tombé dans de l'eau, ne pas le saisir à main nue sans l'avoir préalablement débranché. Ne jamais utiliser la rasoir à proximité d'eau.
2. Ne pas utiliser d'appareil électrique lorsqu'on prend un bain ou une douche.
3. Ne pas poser ou entreposer un appareil électrique à un endroit d'où il risque de tomber ou d'être projeté dans une baignoire ou un lavabo. Ne pas le plonger ou le faire tomber dans de l'eau ou dans un autre liquide.
4. Après utilisation, débrancher systématiquement tout appareil électrique de la prise d'alimentation. Pour débrancher l'appareil, saisir et tirer la fiche, et non le cordon.
5. Débrancher tout appareil électrique avant de le nettoyer et d'y monter ou d'en démonter des pièces.

## AVERTISSEMENT : Pour réduire les risques de brûlure, d'incendie, de décharge électrique ou de blessure :

1. Ne jamais laisser sans surveillance un appareil électrique branché.
2. Cet appareil peut être utilisé par des enfants âgés de 8 ans minimum et des personnes présentant un handicap physique, sensoriel ou mental ou un manque d'expérience et de connaissances à condition d'avoir fait l'objet de la supervision ou reçu les instructions concernant l'utilisation de l'appareil de manière sûre et d'en comprendre les dangers.
3. **ATTENTION : l'utilisation du chargeur de batterie par des enfants de moins de 8 ans est interdite. Informer suffisamment l'enfant de manière à ce qu'il puisse utiliser le chargeur de batterie sans danger et lui expliquer que ce n'est pas un jouet.**
4. Dire à l'enfant de ne pas essayer de recharger des batteries non rechargeables en raison du danger d'explosion.
5. Cet appareil ne doit pas être utilisé par les personnes (en particulier les enfants) aux capacités physiques, sensorielles ou mentales réduites, ou dépourvues de l'expérience et des connaissances voulues, que sous la supervision ou avec les directives d'une personne responsable de leur sécurité.

6. Le nettoyage et la maintenance utilisateur ne doivent pas être confiés à des enfants sans supervision.
7. Cet appareil n'est pas un jouet à laisser entre les mains des enfants.
8. Ne se servir de cet appareil qu'aux fins décrites dans le présent manuel. Ne pas utiliser d'accessoires non recommandés par Andis.
9. Ne jamais utiliser l'appareil si son cordon ou la prise d'alimentation sont endommagés, s'il ne fonctionne pas normalement, si on l'a fait tomber à terre, endommagé ou laissé tomber dans de l'eau. Renvoyer l'appareil à un centre d'entretien Andis pour qu'il y soit examiné et réparé.
10. Tenir le cordon d'alimentation à distance des surfaces chaudes.
11. Ne jamais laisser tomber ni introduire un objet quelconque dans l'une des ouvertures de l'appareil. Insérer uniquement la fiche du transformateur de recharge dans la prise du rasoir.
12. Ne pas utiliser l'appareil en plein air et ne pas l'utiliser si un produit en aérosol (atomiseur) ou un masque à oxygène est utilisé à proximité.
13. Ne pas utiliser cet appareil si une tête de coupe ou un guide de coupe est endommagé(e) ou cassé(e), ce qui pourrait causer des lésions cutanées.
14. Insérer toujours la fiche dans l'appareil en premier, puis dans la prise secteur. Pour mettre l'appareil hors service, tourner le bouton sur « 0 » et débrancher de la prise électrique.
15. La batterie de cette rasoir a été conçue pour une longévité maximum. Toutefois, comme toutes les batteries, celle-ci finira par s'user. Ne pas démonter la rasoir ni essayer de remplacer la batterie.
16. Examiner régulièrement l'état du chargeur de batterie, notamment le cordon, la fiche et le boîtier. Si le chargeur de batterie est endommagé, il ne devra pas être utilisé avant d'avoir été réparé.
17. Les batteries peuvent être nocives pour l'environnement en cas de mise au rebut incorrecte. De nombreuses localités proposent des services de recyclage ou de récupération des batteries. Pour en savoir plus sur les pratiques dans votre région, contacter les autorités locales.
18. Avant de jeter des batteries usagées, recouvrir les bornes de ruban adhésif solide pour éviter les courts-circuits.

**AVERTISSEMENT : ne pas essayer de détruire ni de démonter le rasoir ou d'enlever ses composants. En outre, ne jamais toucher les bornes métalliques avec des objets métalliques et/ou des parties du corps sous peine de court-circuit. Garder à l'écart des enfants. Le non-respect de ces avertissements pourrait déclencher un incendie ou faire encourir des blessures graves.**



19. **AVERTISSEMENT : pour recharger la batterie, utiliser uniquement l'alimentation détachable pour modèle TS-1 fournie avec l'appareil.**
20. Cet appareil est uniquement fourni à une tension de sécurité extra-basse correspondant au marquage sur l'appareil.
21. Garder l'appareil au sec.

## CONSERVER CES INSTRUCTIONS

### ADAPTATEUR SECTEUR ~/- UNIVERSEL

L'appareil/socle de recharge est équipé d'un adaptateur secteur ~/- universel. Cinq fiches interchangeables sont incluses pour une utilisation dans la plupart des pays du monde entier (Diagrammes A-E).

### DÉPOSE DE LA PRISE D'ALIMENTATION :

1. Débrancher l'adaptateur c.a./c.c. de la prise électrique murale.
2. Tout en appuyant sur le bouton de la fiche d'entrée, appuyer doucement sur la fiche jusqu'à ce qu'elle se détache de l'adaptateur secteur.

### REPLACEMENT DE LA PRISE D'ALIMENTATION :

1. Pour remplacer la fiche d'entrée, aligner les onglets de l'adaptateur secteur sur les fentes de la fiche d'entrée (Diagramme F).
2. Pousser délicatement la prise d'alimentation dans l'adaptateur jusqu'à ce qu'elle s'y enclenche.

## MODE D'EMPLOI

- La batterie n'a pas été prévue pour être remplacée par l'utilisateur.
- La batterie devra être retirée de l'appareil avant la mise au rebut de ce dernier.
- L'appareil devra être débranché du secteur avant le retrait de la batterie.
- La batterie devra être mise au rebut de manière sûre.

### RECHARGE DU RASOIR

**Le rasoir n'a pas été chargé à l'usine. Pour une performance maximum, recharger le rasoir pendant 2 heures minimum avant la première utilisation.**

Ce chargeur de batterie est destiné à une utilisation avec la batterie lithium-ion Andis modèle TS-1 d'une capacité nominale de 3,7 V et 2,96 Wh. Sortir le rasoir et l'adaptateur secteur de la boîte. Brancher l'adaptateur sur une prise 100-240 V~ (ou une autre prise, en fonction des normes locales). Pour que la batterie se charge, l'interrupteur du rasoir doit être sur position Arrêt. Brancher le cordon de l'adaptateur directement sur le connecteur en bas du rasoir (Diagramme G). Le voyant de recharge vert sur le rasoir s'allume. Une fois la batterie chargée à fond, le voyant de recharge vert s'éteint.

### EN CAS D'ÉCHEC DE LA RECHARGE

1. Vérifier si la prise secteur est alimentée (en branchant dessus un appareil qui fonctionne).
  2. S'assurer que le cordon de l'adaptateur est bien branché sur le rasoir.
- Si le rasoir ne se recharge toujours pas, l'envoyer à Andis ou à un centre de service agréé par Andis pour examen et réparation ou remplacement.

### UTILISATION AVEC LE CORDON ADAPTATEUR

Si le rasoir se met hors tension en cours d'utilisation, le cordon d'alimentation peut être branché pour permettre la reprise du travail (Diagramme G). Lorsque le rasoir fonctionne avec le cordon d'alimentation branché, le voyant de recharge vert reste éteint, même si la batterie est partiellement ou entièrement déchargée. Le rasoir ne se recharge pas lorsqu'il est utilisé avec le cordon branché.

Cet appareil électrique doit être correctement orienté en position verticale.

### POUR RASER

1. Garder l'appareil propre et sec à tout moment.
2. Enlever la garde de tête en plastique.
3. S'assurer que les grilles externes et les têtes de coupe internes ne sont pas endommagées. Remplacer les pièces abîmées avant utilisation. Pour en savoir plus sur les pièces détachées, contacter Andis ou le centre de SAV agréé Andis le plus proche.
4. S'assurer que la batterie est chargée.
5. Se laver et s'essuyer minutieusement la peau avant de se raser.
6. Glisser l'interrupteur Marche/Arrêt en position Marche.
7. Tirer légèrement sur la peau du visage de la main libre tout en déplaçant le rasoir lentement et uniformément contre le grain de la barbe. En procédant par petites touches circulaires, les poils se redresseront, ce qui facilitera encore plus le rasage. Tenir le rasoir à 90 degrés par rapport au visage tout en maintenant le contact avec la grille.
8. Pour raser au plus près et éviter l'usure inutile des grilles, **s'assurer que les deux grilles touchent simultanément la peau à tout moment**. Si le rasoir est tenu à un angle où une seule grille est en contact avec la peau, la grille se déformera, ce qui peut provoquer une irritation de la peau.
9. Pour faciliter la coupe et éviter d'user les grilles, appuyer au minimum sur le rasoir en le déplaçant sur la peau.
10. Pour maximiser le confort de rasage, veiller à nettoyer minutieusement le rasoir après utilisation.

## ENTRETIEN

Le nettoyage et la maintenance utilisateur ne doivent pas être confiés à des enfants sans supervision.

Si le rasoir doit rester inutilisé pendant un certain temps, le ranger à un endroit sec, frais et sûr. Ne pas enrouler le cordon serré autour du rasoir. Ne pas suspendre le rasoir par son cordon d'alimentation. Hormis les procédures d'entretien décrites dans ce mode d'emploi, tout entretien doit être confié à Andis ou à un centre de réparation agréé par Andis.

**IMPORTANT :** Pour maximiser la performance et les résultats du rasoir, il est recommandé de remplacer les grilles et la tête de coupe du rasoir tous les six mois.

### POUR REMPLACER LES GRILLES

1. Enlever les grilles en appuyant sur le bouton rond de verrouillage de l'ensemble, sur le côté droit du rasoir. Saisir l'ensemble des grilles des deux côtés et le soulever délicatement du rasoir (Diagramme H).
2. Positionner l'ensemble de grilles de rechange sur la tête de coupe. Veiller à ne pas endommager les grilles. Glisser doucement l'ensemble des grilles vers le bas jusqu'à ce qu'il s'enclenche en position.

### POUR REMPLACER LA TÊTE DE COUPE

**REMARQUE :** Toujours remplacer l'ensemble des grilles lors du remplacement de la tête de coupe.

1. Pour enlever une tête de coupe, la saisir des deux côtés et remonter (Diagramme I).
2. Pour remplacer une tête de coupe, la tenir des deux côtés et aligner la petite tige métallique qui se trouve dessous sur l'encoche de l'entraînement du rasoir et appuyer fermement vers le bas jusqu'à ce qu'elle s'enclenche en position.
3. Remplacer l'ensemble des grilles.

### NETTOYAGE

Un nettoyage régulier est nécessaire pour maintenir une performance optimale et un confort maximum en rasant : NE PAS faire fonctionner le rasoir, les grilles ou la tête de coupe sous l'eau. Utiliser uniquement la petite brosse (fournie) pour nettoyer l'appareil.

### NETTOYAGE À SEC À LA BROSSÉ

1. Enlever les grilles en appuyant sur le bouton rond de verrouillage de l'ensemble, sur le côté droit du rasoir. Saisir l'ensemble des grilles des deux côtés et le soulever délicatement du rasoir (Diagramme I).

Sírvase leer las instrucciones siguientes antes de usar su nueva afeitadora Andis. Si brinda el cuidado que se merece a este instrumento fino construido con precisión, obtendrá muchos años de servicio.

2. Tapoter le bas de l'ensemble des grilles sur une surface plane de manière à faire tomber les poils qui se trouvent à l'intérieur. Ne pas enlever les grilles sous peine de les endommager accidentellement.
3. Brosser légèrement les poils de la tête de coupe. La tête de coupe peut être enlevée du rasoir, si nécessaire. Souffler sur les poils restants.
4. Remettre en place la tête de coupe et l'ensemble des grilles.

### CONSIGNES D'UTILISATION DES BATTERIES LITHIUM-ION

1. La batterie lithium-ion fournie avec le rasoir ne développe pas « d'effet de mémoire » comme les piles au nickel-métal-hydrure (NiMH), ou au nickel-cadmium (NiCd). Le rasoir peut être remis dans le chargeur à tout moment pour une charge complète ou même être utilisé avant qu'un cycle de recharge ne soit terminé. Comme la plupart des batteries rechargeables, les piles lithium-ion donnent les meilleurs résultats quand elles sont utilisées fréquemment.
2. Pour maximiser la durée de vie de la batterie, stocker le rasoir à l'état partiellement déchargé s'il ne doit pas être utilisé pendant plusieurs mois. Pour décharger la batterie, faire fonctionner le rasoir jusqu'à ce qu'il s'arrête automatiquement.
3. Éviter de placer le rasoir près de bouches de chauffage, de radiateurs ou à la lumière directe du soleil. Une recharge optimale s'obtient à température stable. Les hausses subites de température risquent d'empêcher la recharge à fond de la batterie.
4. De nombreux facteurs influent sur la durée de vie des batteries lithium-ion. Il est possible qu'une batterie qui a été très utilisée et a plus de un an ne donne pas le même niveau de performance de fonctionnement qu'une batterie neuve.
5. Les batteries lithium-ion inutilisées pendant un certain temps risquent de ne pas accepter de charge complète. Cela est normal et n'indique pas un problème au niveau de la batterie ou du chargeur. La batterie acceptera une pleine charge après plusieurs cycles d'utilisation et de recharge du rasoir.
6. Débrancher le chargeur ou le rasoir de la prise secteur si de longues périodes d'inutilisation sont anticipées.

### MISE AU REBUT DE LA BATTERIE SELON LES RÈGLES

Ce produit contient des accus rechargeables, qui sont recyclables à la fin de leur durée utile. Dans certaines juridictions, il est illégal de mettre ces accus au rebut dans une décharge municipale. Renseignez-vous sur les options de recyclages à votre disposition ou de mise au rebut adéquate auprès des responsables locaux des déchets solides.

### MISE AU REBUT CORRECTE DE CE PRODUIT

Cette marque indique que ce produit ne doit pas être mis au rebut avec les déchets ménagers à travers l'UE. Pour éviter tout risque pour l'environnement ou la santé de l'homme résultant d'une mise au rebut non contrôlée des déchets, recyclez l'appareil de manière responsable pour promouvoir la réutilisation durable des ressources matérielles. Pour retourner l'appareil usagé, utilisez les systèmes de retour et de collecte ou contacter le détaillant chez lequel le produit a été acheté. Il pourra récupérer ce produit pour se charger de son recyclage sans risque pour l'environnement.



### SERVICE DE RÉPARATION EN USINE

Lorsque la tête de coupe de votre rasoir Andis s'émousse au fil des utilisations, nous vous conseillons d'acheter une nouvelle tête de coupe et un nouvel ensemble de grilles auprès de votre fournisseur Andis ou d'un centre de SAV Andis agréé. Par ailleurs, pour faire réparer le rasoir, emballez-le soigneusement et envoyez-le par colis postal assuré ou par UPS à un des centres de réparation agréés. **Si vous avez des difficultés à contacter votre fournisseur Andis, appelez le service clientèle Andis au 1-262-884-2600 ou envoyez un e-mail à [info@andisco.com](mailto:info@andisco.com) Pour trouver le centre de SAV Andis le plus proche, connectez-vous à [www.andis.com](http://www.andis.com) ou contactez notre service clientèle par téléphone au 1-262-884-2600, ou par e-mail à [info@andisco.com](mailto:info@andisco.com).**

## PRECAUCIONES IMPORTANTES

Al utilizar un artefacto eléctrico, siempre deben seguirse las precauciones básicas de seguridad, que incluyen las siguientes:  
**Lea todas las instrucciones antes de usar la afeitadora Andis.**  
**Este producto no debe ser utilizado por niños.**

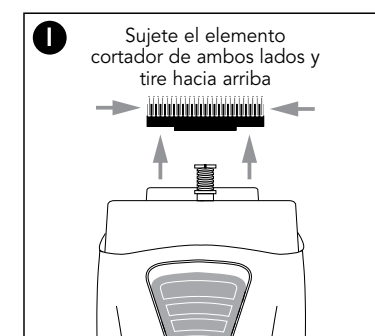
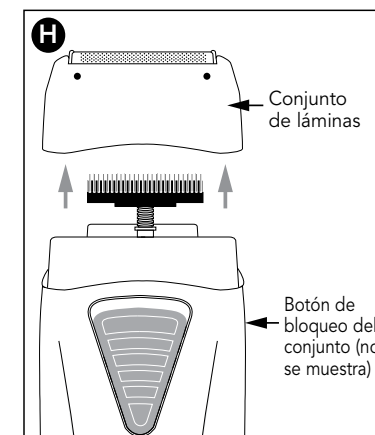
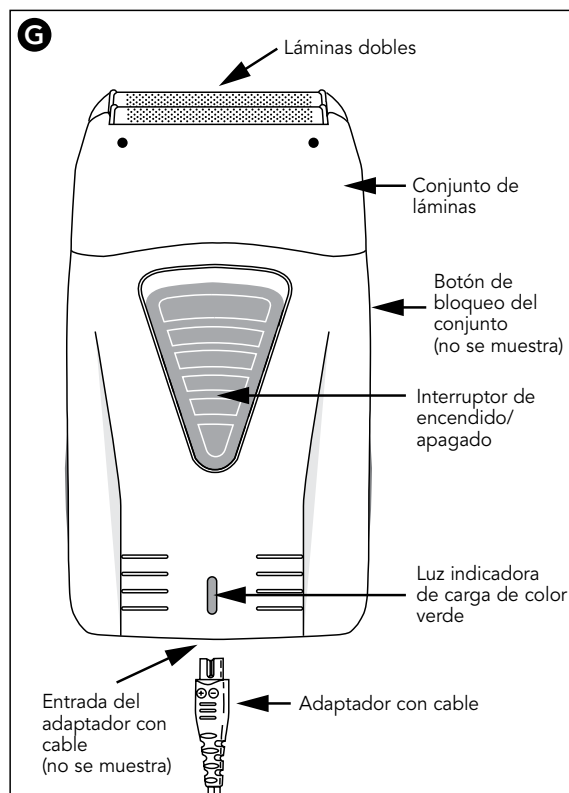
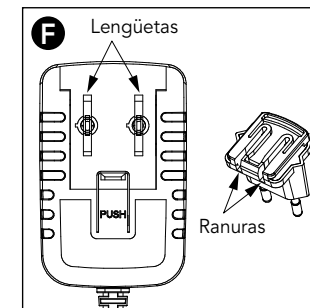
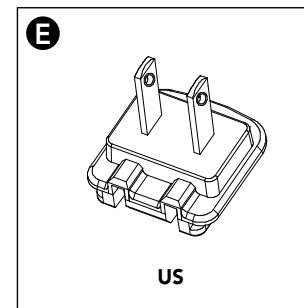
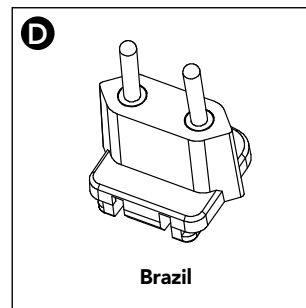
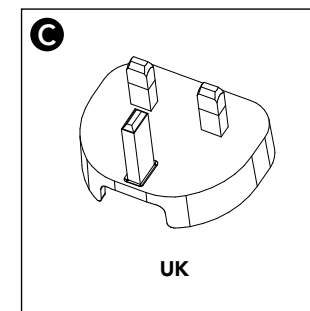
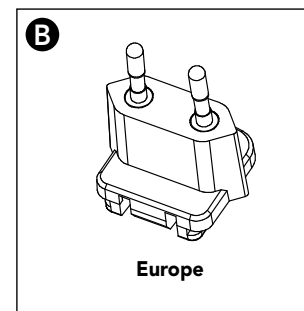
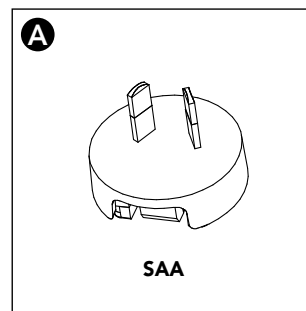
### PELIGRO: A fin de reducir el riesgo de descarga eléctrica:

1. No toque el aparato si éste ha caído al agua. Desenchúfelo inmediatamente. Nunca use la afeitadora cerca de donde haya agua.
2. No utilice el aparato dentro de la bañera ni en la ducha.
3. No deje ni guarde el aparato en ningún lugar desde el que pueda caer o deslizarse dentro de la bañera o del lavabo. No lo sumerja ni lo deje caer en agua ni en ningún otro líquido.
4. Siempre que termine de utilizar el aparato, desenchúfelo inmediatamente del tomacorriente. Para desconectar la afeitadora sostenga el enchufe y sáquelo del tomacorriente; no tire del cable.
5. Desenchufe el aparato antes de proceder a su limpieza, y antes de quitar o montar alguna de las piezas.

### ADVERTENCIA: A fin de reducir el riesgo de quemaduras, incendio, descarga eléctrica o lesiones observe las siguientes normas:

1. Un aparato eléctrico no debe dejarse bajo ningún concepto desatendido mientras está enchufado.
2. Este aparato puede ser utilizado por niños de 8 años de edad y más, y por personas con capacidades físicas, sensoriales o mentales reducidas, o con falta de experiencia y conocimientos, siempre y cuando hayan recibido supervisión o instrucciones referentes al uso del aparato de manera segura, y comprendan los peligros involucrados.
3. **PRECAUCIÓN: Los niños deben ser supervisados para que no usen el aparato como juguete. Proporcione las instrucciones suficientes para que el niño pueda usar el cargador de baterías de manera segura y explíquele que no se trata de un juguete y que no debe jugar con el cargador.**
4. Indique al niño que no intente recargar las baterías no recargables debido al peligro de erupción.

5. El aparato no debe utilizarse por personas (incluyendo niños) con capacidades físicas, sensoriales o mentales reducidas, o que carezcan de experiencia o conocimiento, a menos que reciban supervisión o capacitación.
6. La limpieza y el mantenimiento por parte del usuario no deberán ser realizados por niños sin la debida supervisión.
7. Los niños no deben jugar con el aparato.
8. Utilice este aparato únicamente para los fines a los que ha sido destinado, según lo indicado en este manual. No utilice accesorios que no hayan sido recomendados por Andis.
9. En ningún caso ponga en marcha este aparato si el cable o el enchufe están estropeados, si no funciona correctamente, si ha caído o ha sufrido daños, o si ha entrado en contacto con agua. Lleve el aparato a un centro de servicio autorizado de Andis para que sea allí examinado y reparado.
10. Mantenga el cable alejado de las superficies calientes.
11. Nunca deje caer ni introduzca ningún objeto en ninguna abertura. Inserte únicamente el enchufe del transformador de recarga en el receptáculo de la afeitadora.
12. No utilice el aparato al aire libre ni lo ponga en funcionamiento si se están utilizando productos de aerosol (sprays) o si se está administrando oxígeno.
13. No utilice este aparato con cuchillas o peines accesorios dañados o rotos, ya que se podría lastimar la piel.
14. Siempre conecte primero el enchufe al aparato, luego al tomacorriente. Para desconectar el aparato coloque el control en "0" y desconéctelo del tomacorriente de la pared.
15. Las baterías de esta afeitadora han sido diseñadas para proporcionar una máxima vida útil sin problemas. Sin embargo, como sucede con todas las baterías, con el tiempo se agotan. No desarme la afeitadora ni intente reemplazar la batería.
16. Examine el cargador de baterías regularmente en busca de daños, especialmente el cable, el enchufe y la caja. Si el cargador de baterías ha sufrido daños, no se lo deberá usar hasta no haber sido reparado.
17. Las baterías pueden perjudicar el medio ambiente cuando se eliminan de manera inadecuada. Muchas comunidades ofrecen opciones de reciclaje o sitios de recolección de baterías. Comuníquese con el gobierno de su localidad para informarse sobre las prácticas de desecho en su área.
18. Al desechar las baterías usadas, cubra los terminales con cinta adhesiva resistente para evitar cortocircuitos. **ADVERTENCIA: No trate de destruir o desarmar la afeitadora ni le quite ninguno de sus componentes. Asimismo, nunca toque los terminales metálicos con objetos metálicos ni con las partes del cuerpo, ya que puede ocasionarse un cortocircuito.**





Mantenga lejos del alcance de los niños. Si no se observan estas advertencias, puede ocasionarse un incendio o lesiones graves.

19. **ADVERTENCIA:** Para el propósito de recargar la batería, utilice únicamente la unidad desmontable de suministro eléctrico para el modelo TS-1 provista con el artefacto.
20. Este aparato sólo se suministra con un voltaje de seguridad extra bajo que corresponde con lo marcado en el artefacto.
21. Mantenga el artefacto seco.

## GUARDE ESTAS INSTRUCCIONES

### ADAPTADOR ELÉCTRICO UNIVERSAL DE CA/CC

El soporte de carga/de la unidad está equipado con un adaptador eléctrico universal de CA/CC. Se incluyen cinco enchufes de entrada intercambiables para uso en la mayoría de los países del mundo (Figuras A-E).

#### PARA SACAR UN ENCHUFE:

1. Desenchufe el adaptador de CA a CC del tomacorriente de la pared.
2. Mientras presiona el botón situado en el enchufe de entrada, empuje delicadamente el enchufe hacia arriba hasta que se suelte del adaptador eléctrico.

#### PARA COLOCAR UN ENCHUFE:

1. Para reemplazar el enchufe de entrada, alinee las lengüetas del adaptador eléctrico de CA/CC con las ranuras del enchufe de entrada. (Figura F).
2. Empuje con cuidado el enchufe hacia dentro del adaptador, hasta que quede fijo a presión en su lugar.

## INSTRUCCIONES DE OPERACIÓN

- El usuario no debe cambiar la batería.
- Se debe quitar la batería antes de desechar el aparato.
- El aparato debe desconectarse de la fuente eléctrica antes de quitarle la batería.
- La batería se debe desechar de manera segura.

### CARGA DE LA AFEITADORA

La afeitadora no ha sido cargada en la fábrica. Para obtener un máximo rendimiento, cargue la afeitadora durante 2 horas como mínimo antes de usarla por primera vez.

Este cargador de baterías está diseñado para ser usado con la batería de iones de litio modelo TS-1 de Andis con una capacidad nominal de 3.7 V y 2.96 Wh. Saque la afeitadora y el adaptador de CA de la caja. Enchufe el adaptador en un tomacorriente de 100-240 V CA, o el que corresponda según las normas eléctricas de su localidad. Observe que el interruptor ON/OFF (de encendido y apagado) de la afeitadora debe estar en la posición OFF (de apagado) para que la batería pueda cargarse. Enchufe el adaptador con cable directamente a la toma ubicada en la parte inferior de la afeitadora (Figura G). Se encenderá la luz indicadora de color verde en la afeitadora, indicando que se está cargando. Después de que la batería esté completamente cargada, se apagará la luz indicadora de carga de color verde.

### SI NO SE CARGA

1. Asegúrese de que haya tensión eléctrica en el tomacorriente de pared (confirme esto usando un artefacto que sepa que está funcionando correctamente).
  2. Compruebe que el cable del adaptador esté firmemente enchufado en la afeitadora.
- Si aún no logra cargarse, devuelva la afeitadora a Andis o a un centro de servicio autorizado de Andis para su verificación y reparación, o reemplazo.

### USO CON UN ADAPTADOR CON CABLE

Si la afeitadora se apaga durante el uso, el cable eléctrico podrá conectarse para continuar usándola con cable (Figura G). Cuando la afeitadora está en funcionamiento con el cable eléctrico conectado, la luz verde de la luz indicadora de carga permanecerá apagada, incluso si la batería está parcial o completamente descargada. La afeitadora no se cargará al estar en uso con el cable conectado. **Esta unidad de alimentación está concebida para ser orientada correctamente en posición vertical o montaje en el piso.**

### PARA AFEITAR

1. Mantenga la unidad limpia y seca en todo momento.
2. Retire el protector plástico de la cabeza.
3. Asegúrese de que las láminas externas y los elementos cortadores internos no hayan sufrido daños. Reemplace las piezas dañadas antes de usar el producto. Para obtener más información sobre repuestos, comuníquese con Andis o el Centro de Servicio Autorizado de Andis más cercano.
4. Asegúrese de que la batería esté cargada.
5. Lave y seque la piel completamente antes de afeitarse.
6. Deslice el interruptor ON/OFF a la posición ON (de encendido).
7. Delicadamente estire la piel de la cara con la mano libre, mientras mueve la afeitadora lenta y suavemente en contra de la dirección de crecimiento de la barba. Usar movimientos cortos y circulares ayudará a que los pelos se separen de la cara, lo cual facilitará el proceso de afeitado. Sujete la afeitadora a un ángulo de 90 grados con respecto a la cara mientras mantiene el contacto con la lámina.
8. Para lograr un afeitado más al ras y evitar un desgaste innecesario de las láminas, **asegúrese de que ambas láminas estén en contacto simultáneamente con la piel en todo momento.** Sujetar la afeitadora de modo que sólo una lámina esté en contacto con la piel causará la deformación de la lámina y podría provocar irritación cutánea.
9. Para facilitar el corte y evitar el desgaste de la lámina, utilice una mínima presión para aplicar la afeitadora a la piel.
10. Para maximizar el confort al afeitarse, asegúrese de limpiar la afeitadora completamente después del uso.

## MANTENIMIENTO POR PARTE DEL USUARIO

La limpieza y el mantenimiento por parte del usuario no deberán ser realizados por niños sin la debida supervisión.

Si no se utilizará la afeitadora durante un período de tiempo prolongado, almacénela en un lugar seguro, fresco y seco. No enrolle nunca el cable de manera apretada alrededor de la afeitadora. No cuelgue la afeitadora por el cable eléctrico. No debe realizarse ningún tipo de mantenimiento que no fuera el recomendado en este manual, salvo por Andis Company o por un Centro de Servicio Autorizado de Andis.

**IMPORTANTE:** Para obtener un óptimo rendimiento y resultados, se recomienda reemplazar los elementos cortadores y los conjuntos de las láminas de la afeitadora cada seis meses.

### PARA REEMPLAZAR EL CONJUNTO DE LÁMINAS

1. Desmonte el conjunto de láminas presionando el botón redondo de bloqueo del conjunto situado en el lateral derecho de la afeitadora. Sujete el conjunto de láminas de ambos lados y levántelo con cuidado para quitarlo de la afeitadora (Figura H).
2. Posicione el conjunto de láminas de repuesto sobre los elementos cortadores. Tenga cuidado de no dañar las láminas. Con cuidado, deslice el conjunto de láminas hacia abajo hasta que quede asentado firmemente en posición.

### PARA REEMPLAZAR LOS ELEMENTOS CORTADORES

**NOTA:** Siempre reemplace el conjunto de láminas al reemplazar los elementos cortadores.

1. Para desmontar un elemento cortador, sujételo de ambos lados y tire hacia arriba (Figura I).
2. Para reemplazar un elemento cortador, sujételo de ambos lados y alinee el pequeño eje metálico de su cara inferior con la muesca de la unidad de accionamiento de la afeitadora, empujando firmemente hacia abajo hasta que se enganche en posición.
3. Reemplace el conjunto de láminas.

## LIMPIEZA

Es necesaria una limpieza regular para poder mantener el óptimo rendimiento y el máximo confort de su afeitadora. NO permita el funcionamiento de la afeitadora, el conjunto de láminas ni los elementos cortadores bajo agua. Utilice únicamente el cepillo pequeño (incluido) para limpiarla.

### LIMPIEZA EN SECO CON CEPILLO

1. Desmunte el conjunto de láminas presionando el botón redondo situado en el lateral derecho de la unidad. Sujete el conjunto de láminas de ambos lados y levántelo delicadamente para quitarlo de la afeitadora (Figura I).
2. Con cuidado, golpee la base del conjunto de láminas sobre una superficie plana, de modo que los pelos en su interior caigan hacia afuera. No desmunte las láminas porque podría dañarlas accidentalmente.
3. Cepille ligeramente los pelos para quitarlos de los elementos cortadores. Puede desmontarlos de la afeitadora en caso de ser necesario. Sople para eliminar cualquier pelo suelto que quedara.
4. Reemplace los elementos cortadores y el conjunto de láminas.

### SIGA LAS RECOMENDACIONES PARA BATERÍAS DE IONES DE LITIO

1. La batería de iones de litio que se incluye en su afeitadora no desarrolla un "efecto de memoria" como las baterías de hidruro metálico y níquel (NiMH) o las baterías de níquel y cadmio (NiCd). Puede volver a colocar la afeitadora en el cargador en cualquier momento para obtener una carga completa, o incluso usar la batería antes de que se complete el ciclo de carga. Al igual que la mayoría de las baterías recargables, las baterías de iones de litio tienen un mejor rendimiento cuando se usan con frecuencia.
2. Para una máxima vida útil de la batería, almacene la afeitadora en una condición parcialmente descargada si la unidad no se usará por varios meses. Para descargar la batería, haga funcionar la afeitadora hasta que se apague automáticamente.
3. No coloque la afeitadora cerca de rendijas de calefacción, radiadores ni en presencia de luz solar directa. En condiciones de temperatura estable, se producirá una carga óptima. Los aumentos repentinos de temperatura pueden causar que la batería no se cargue completamente.
4. Hay muchos factores que influyen en la vida útil de una batería de iones de litio. Una batería usada en exceso o que cuente con más de un año de uso no puede ofrecer el mismo rendimiento que una batería nueva.
5. Si las baterías de iones de litio nuevas no se usan durante un cierto período de tiempo, es posible que no se puedan cargar por completo. Esto es normal y no indica un problema con la batería o el cargador. La batería aceptará una carga completa después de varios ciclos de uso y recarga de la afeitadora.
6. Desconecte el cargador o la afeitadora del tomacorriente de CA si se anticipan períodos largos sin uso.

### ELIMINACIÓN ADECUADA DE LAS BATERÍAS

El producto que ha comprado contiene una batería recargable. La batería es reciclable. Deseche esta batería de manera responsable. Consulte con los funcionarios locales de residuos sólidos para conocer detalles sobre opciones de reciclaje en su localidad o un desecho correcto.

### ELIMINACIÓN ADECUADA DE ESTE PRODUCTO

Esta marca indica que este producto no se debe desechar con otros residuos domésticos a lo largo de la Unión Europea. Para evitar un posible daño al medio ambiente o a la salud humana debido a la eliminación descontrolada de residuos, recicle el producto responsablemente para promover el reuso sostenible de recursos materiales. Si desea devolver su dispositivo usado, por favor use el sistema de devolución y recolección o comuníquese con el minorista donde compró el producto. Ellos pueden recibir el producto para un reciclado inocuo al medio ambiente.



### SERVICIO DE REPARACIÓN EN FÁBRICA

Cuando los elementos cortadores de su afeitadora Andis pierdan el filo después de un uso repetido, se aconseja comprar un conjunto nuevo de elementos cortadores y láminas, disponible por medio de su proveedor Andis o por medio de un Centro de Servicio Autorizado de Andis. Si desea que su afeitadora también reciba servicio técnico, deberá empacarla cuidadosamente y enviarla ya sea por correo asegurado o por U.P.S. a cualquiera de los Centros de Servicio. **Si usted tiene un problema en comunicarse con su proveedor Andis, comuníquese con el departamento de servicio al cliente de Andis Company al 1-262-884-2600 o envíe un mensaje electrónico a info@andisco.com** Para encontrar un Centro de Servicio Autorizado de Andis cerca de su localidad, visite [www.andis.com](http://www.andis.com) o póngase en contacto con nuestro departamento de servicio al cliente llamando al 1-262-884-2600, o enviando un mensaje electrónico a [info@andisco.com](mailto:info@andisco.com).

## DEUTSCH

Lesen Sie die folgende Anleitung, bevor Sie Ihren neuen Andis-Rasierer benutzen. Das Gerät ist ein hochwertiges Präzisionsinstrument und sollte entsprechend gepflegt werden, um einen jahrelangen Betrieb sicherzustellen.

## WICHTIGE SICHERHEITSHINWEISE

Bei der Verwendung von elektrischen Geräten müssen stets grundlegende Sicherheitsregeln befolgt werden. Dazu zählen: Die Anleitung vor der Verwendung des Andis-Rasierers vollständig durchlesen. Dieses Gerät darf nicht von Kindern verwendet werden.

### GEFAHR: Beachten Sie Folgendes, um das Risiko eines elektrischen Schlags zu verringern:

1. Nicht nach einem Gerät greifen, das in Wasser gefallen ist. Sofort den Stecker aus der Steckdose ziehen.
2. Nicht während des Badens oder in der Dusche verwenden.
3. Das Gerät nicht an einem Platz ablegen oder aufbewahren, an dem es in eine Wanne oder ein Waschbecken fallen oder hineingezogen werden kann. Das Gerät nicht in Wasser oder eine andere Flüssigkeit fallen lassen oder eintauchen.
4. Das Netzkabel dieses Geräts immer sofort nach Gebrauch aus der Steckdose ziehen. Das Gerät am Stecker und nicht am Kabel aus der Steckdose ziehen.
5. Vor dem Reinigen, Ausbauen oder Zusammenbauen von Teilen den Netzstecker aus der Steckdose ziehen.

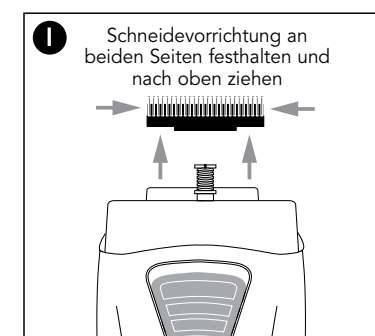
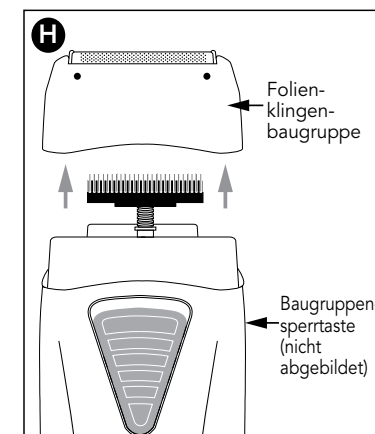
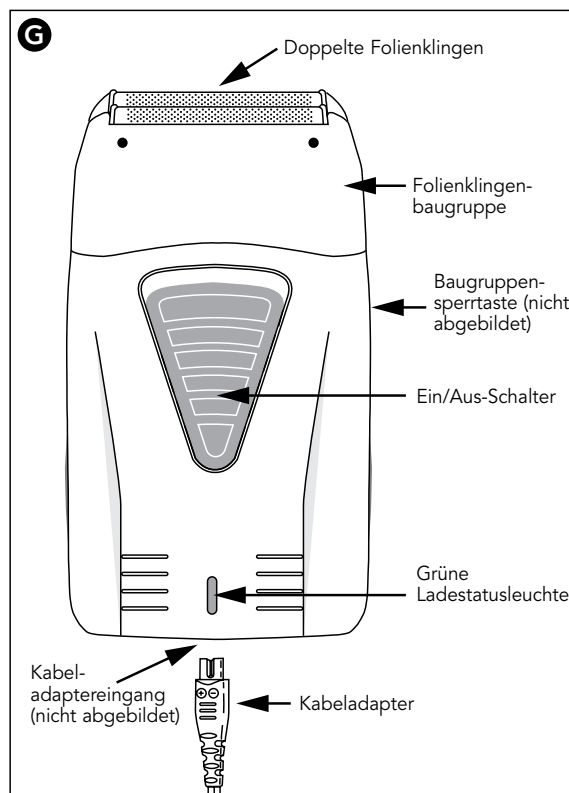
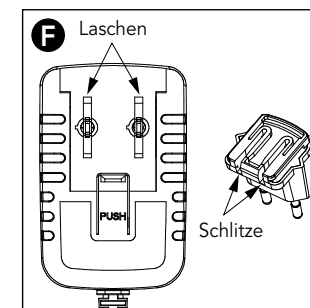
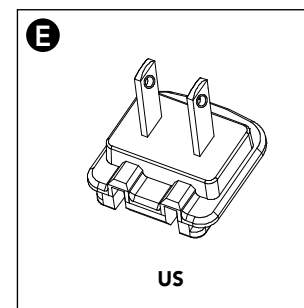
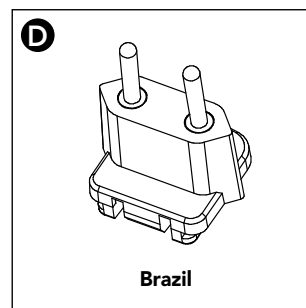
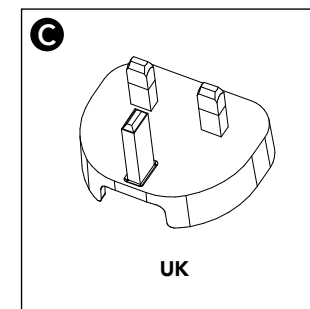
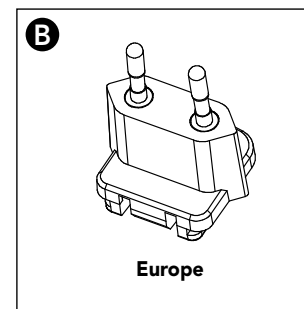
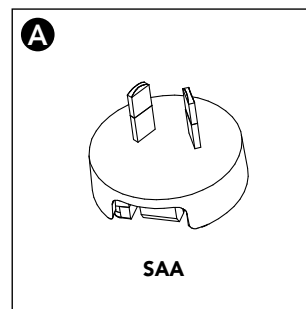
### GEFAHR: Zur Verminderung des Risikos von Verbrennungen, Feuer, elektrischem Schlag oder Körperverletzungen ist Folgendes zu beachten:

1. Ein mit dem Stromnetz verbundenes Gerät niemals unbeaufsichtigt lassen.
2. Dieses Gerät darf nur dann von Kindern ab 8 Jahren und Personen mit verminderten physischen, sensorischen oder geistigen Fähigkeiten bzw. mit mangelnder Erfahrung oder mangelnden Kenntnissen verwendet werden, wenn sie beaufsichtigt werden oder hinsichtlich der sicheren Verwendung des Geräts sowie der damit verbundenen Gefahren eingewiesen wurden.
3. **VORSICHT: Nur Kinder ab 8 Jahren dürfen das Akkuladegerät verwenden. Geben Sie dem Kind ausreichende Anweisungen, damit es das Akkuladegerät auf sichere Weise verwenden kann, und erklären Sie ihm, dass es sich nicht um ein Spielzeug handelt.**
4. Weisen Sie das Kind an, nicht zu versuchen, nicht aufladbare Batterien erneut aufzuladen, weil sie dadurch bersten können.
5. Dieses Gerät darf nur dann von Personen (einschließlich Kindern) mit verminderten physischen, sensorischen oder geistigen Fähigkeiten bzw. mit mangelnder/n Erfahrung oder Kenntnissen verwendet werden, wenn diese von einer für ihre Sicherheit

verantwortlichen Person beaufsichtigt werden bzw. hinsichtlich der Verwendung des Geräts eingewiesen wurden.

6. Kindern darf die Reinigung und Benutzerwartung nur unter Beaufsichtigung gestattet werden.
7. Kinder dürfen nicht mit dem Gerät spielen.
8. Das Gerät nur für die in diesem Handbuch beschriebenen Einsatzzwecke verwenden. Keine nicht von Andis empfohlenen Zubehörteile verwenden.
9. Dieses Gerät darf nicht betrieben werden, wenn Netzkabel oder Netzstecker beschädigt sind, wenn es nicht ordnungsgemäß funktioniert, wenn es zu Boden gefallen ist oder beschädigt wurde oder wenn es in Wasser gefallen ist. Das Gerät in solchen Fällen zur Diagnose und Reparatur an eine Andis-Kundendienststelle einschicken.
10. Das Netzkabel von heißen Oberflächen fernhalten.
11. Niemals fremde Gegenstände in die Öffnungen des Geräts einführen oder fallen lassen. Nur das Ladegerät an die Buchse der Rasierer anschließen.
12. Das Gerät nicht im Freien, nicht zusammen mit Aerosolprodukten (Sprays) und nicht an Orten verwenden, wo Sauerstoff verabreicht wird.
13. Das Gerät darf nicht mit einem beschädigten oder abgebrochenen Scherkopf bzw. Kamm verwendet werden, da dies zu Hautverletzungen führen kann.
14. Den Stecker immer zuerst in das Gerät und dann in die Steckdose stecken. Um das Gerät vom Netz zu trennen, den Hauptschalter auf „0“ stellen und den Netzstecker aus der Steckdose ziehen.
15. Der Akku dieses Geräts wurde für störungsfreien Betrieb bei maximaler Nutzungsdauer entwickelt. Wie alle Akkus entleert er sich jedoch mit der Zeit. Das Gerät nicht auseinanderbauen und nicht versuchen, den Akku zu ersetzen.
16. Untersuchen Sie das Akkuladegerät regelmäßig auf Beschädigungen, insbesondere am Kabel, Stecker und Gehäuse. Ist das Akkuladegerät beschädigt, darf es erst wieder verwendet werden, wenn es repariert wurde.
17. Akkus können bei unsachgemäßer Entsorgung umweltschädlich sein. In vielen Gemeinden gibt es Batterie-/Akku-Recycling- bzw. Sammelstellen. Informationen über die ordnungsgemäße Entsorgung erhalten Sie von Ihrer örtlichen Verwaltung.
18. Bei der Entsorgung alter Akkus die Kontakte mit stabilem Klebeband abdecken, um Kurzschlüsse zu vermeiden.

**WARNUNG: Nicht versuchen, das Gerät zu vernichten, auseinanderzubauen oder einzelne Komponenten zu entfernen. Die Metallkontakte niemals mit Metallobjekten und/oder mit Körperteilen in Berührung kommen lassen, da**



dies zu einem Kurzschluss führen kann. Von Kindern fernhalten. Eine Nichtbeachtung dieser Warnhinweise kann Brand oder ernst Verletzungen verursachen.

19. **ACHTUNG: Dieses Gerät darf nur mit dem mitgelieferten, abtrennbaren Netzteil für das Modell TS-1 aufgeladen werden.**
20. Dieses Gerät ist nur für die auf dem Gerät angegebene Schutzspannung vorgesehen.
21. Das Gerät trocken halten.

## DIESE ANLEITUNG AUFBEWAHREN

### AC/DC-UNIVERSAL-NETZADAPTER

Das Gerät/der Ladeständer ist mit einem AC/DC-Universal-Netzadapter ausgestattet. Fünf im Lieferumfang enthaltene auswechselbare Eingangsstecker ermöglichen den Einsatz in vielen Ländern weltweit (Abb. A-E).

#### ENTFERNEN DES NETZEINGANGSSTECKERS:

1. Den AC/DC-Netzadapter aus der Steckdose ziehen.
2. Auf den am Netzeingangsstecker befindlichen Knopf drücken und gleichzeitig den Stecker behutsam nach oben drücken, bis er sich vom Netzadapter löst.

#### ANBRINGEN DES NETZEINGANGSSTECKERS:

1. Die Stifte des Netzadapters mit den Schlitzen am Eingangsstecker ausrichten, um den Stecker anzubringen (Abb. F).
2. Den Netzeingangsstecker vorsichtig in den Netzadapter drücken, bis er einrastet.

## BEDIENUNGSANLEITUNG

- Der Akku kann vom Bediener nicht ausgetauscht werden.
- Der Akku muss vor dem Entsorgen des Geräts aus diesem entfernt werden.
- Das Gerät muss zum Entfernen des Akkus vom Stromnetz getrennt sein.
- Der Akku muss sicher entsorgt werden.

### DRASIERER LADEN

Der Rasierer wurde **werkseitig nicht geladen**. Um maximale Leistung zu erbringen, sollte der Rasierer vor der erstmaligen Nutzung **2 Stunden lang geladen werden**.

Dieser Akkulader ist für den Lithium-Ionen-Akku von Andis, Modell TS-1, vorgesehen, dessen Nennleistung 3,7 V, 2,96 W/h beträgt. Den Rasierer und Netzadapter aus dem Karton nehmen. Den Adapter an einer 100-240 V-Wechselstromsteckdose oder gemäß den örtlichen Stromversorgungsstandards anschließen. Der EIN/AUS-Schalter des Rasierers muss in der AUS-Stellung sein, damit der Akku sich lädt. Den Netzadapter direkt am Anschluss unten am Rasierer anschließen (Abb. G). Die grüne Ladestatusanzeige am Rasierer leuchtet auf. Wenn der Akku ganz aufgeladen ist, erlischt die grüne Ladestatusanzeige.

### GERÄT LÄDT SICH NICHT

1. Stellen Sie sicher, dass die Steckdose stromführend ist (mit einem funktionierenden Gerät prüfen).
  2. Prüfen Sie, ob das Adapterkabel fest mit dem Rasierer verbunden ist.
- Lässt sich der Rasierer dennoch nicht laden, senden Sie ihn an Andis oder eine von Andis autorisierte Kundendienststelle, um ihn kontrollieren und reparieren bzw. ersetzen zu lassen.

### VERWENDUNG MIT ADAPTERKABEL

Schaltet sich der Rasierer während der Verwendung AUS, kann das Netzkabel angeschlossen werden, um das Gerät weiter verkabelt zu verwenden (Abb. G). Wird der Rasierer bei angeschlossenem Netzkabel betrieben, bleibt die grüne Leuchte deaktiviert, auch wenn der Akku teilweise oder ganz entladen ist. Der Rasierer wird nicht aufgeladen, während er bei angeschlossenem Kabel verwendet wird.

**Diese Stromversorgungseinheit muss korrekt in einer vertikalen Ausrichtung oder am Boden montiert angebracht werden**

### ZUM RASIEREN

1. Das Gerät stets sauber und trocken halten.
2. Den Scherkopfschutz aus Kunststoff entfernen.
3. Gewährleisten, dass die äußeren Folienklingen und inneren Schneidevorrichtungen nicht beschädigt sind. Beschädigte Teile vor der Verwendung ersetzen. Weitere Informationen über Ersatzteile erhalten Sie von Andis oder der nächstgelegenen Andis-Kundendienststelle.
4. Gewährleisten, dass der Akku aufgeladen ist.
5. Haut vor dem Rasieren gründlich waschen und trocknen.
6. Ein/Aus-Schalter auf die Ein-Position schieben.
7. Die Gesichtshaut sanft mit der freien Hand straffen, während Sie den Rasierer langsam und glatt gegen den Haarstrich Ihres Bartes führen. Wenn kurze, kreisförmige Bewegungen ausgeführt werden, stellen sich die Haare im Gesicht auf und lassen sich einfacher abrasieren. Den Rasierer unter einem Winkel von 90 Grad zum Gesicht halten, während der Kontakt mit der Folienklinge erfolgt.
8. Um eine möglichst saubere Rasur zu erzielen und die Folienklingen nicht unnötig abzunutzen, **müssen beide Klingen gleichzeitig die Haut kontaktieren**. Wenn der Rasierer gewinkelt gehalten wird, während nur eine Folienklinge die Haut kontaktiert, führt dies dazu, dass die Folienklinge verzerrt wird, was Hautreizungen verursachen kann.
9. Um die Rasur zu erleichtern und Klingenabnutzung zu vermeiden, nur minimalen Druck auf Ihre Haut anwenden.
10. Für maximalen Rasierkomfort den Rasierer nach der Verwendung gründlich reinigen.

## WARTUNGSMASSNAHMEN DURCH DEN BENUTZER

Kindern darf die Reinigung und Benutzerwartung nur unter Beaufsichtigung gestattet werden.

Wenn der Rasierer längere Zeit nicht benutzt wird, ist er an einem sicheren, kühlen und trockenen Ort aufzubewahren. Das Kabel nicht fest um das Gerät wickeln. Das Gerät nicht am Netzkabel aufhängen. Außer der in dieser Anleitung beschriebenen empfohlenen Wartung sollten Sie keine weiteren Wartungsarbeiten durchführen. Zusätzlich erforderliche Wartung sollte nur von der Andis Company oder einer autorisierten Kundendienststelle von Andis durchgeführt werden.

**WICHTIGER HINWEIS:** Um optimale Rasiererleistungen und Ergebnisse zu erzielen, wird empfohlen, die Folienklingenbaugruppe und die Schneidevorrichtungen Ihres Rasierers alle sechs Monate zu ersetzen.

### ERSETZEN DER FOLIENKLINGENBAUGRUPPE

1. Die Folienklingenbaugruppe durch Drücken der runden Verriegelungstaste an der rechten Seite des Rasierers abnehmen. Die Folienklingenbaugruppe an beiden Seiten greifen und vorsichtig vom Rasierer heben (Abb. H).
2. Die Ersatz-Folienklingenbaugruppe auf die Schneidevorrichtungen aufsetzen. Dabei darauf achten, dass die Folienklingen nicht beschädigt werden. Die Folienklingenbaugruppe vorsichtig nach unten schieben, bis sie einrastet.

### ERSETZEN DER SCHNEIDEVORRICHTUNGEN

**HINWEIS:** Beim Ersetzen der Schneidevorrichtungen immer auch die Folienklingenbaugruppe ersetzen.

1. Um eine Schneidevorrichtung zu entfernen, an beiden Seiten greifen und nach oben ziehen (Abb. I).
2. Die einzubauende Schneidevorrichtung an beiden Seiten greifen und die kleine Metalllasche an der Unterseite mit der Einkerbung am Rasiererantrieb ausrichten. Dann fest nach unten drücken, bis sie einrastet.
3. Die Folienklingenbaugruppe anbringen.

### REINIGUNG

Der Rasierer muss regelmäßig gereinigt werden, um optimale Leistung und maximalen Komfort beim Rasieren aufrechtzuerhalten. Rasierer, Folienklingenbaugruppe oder Schneidevorrichtungen nicht unter Wasser halten. Nur die kleine Bürste (im Lieferumfang enthalten) zur Reinigung verwenden.

## TROCKENREINIGUNG MIT BÜRSTE

1. Die Folienklingenbaugruppe durch Drücken der runden Taste an der rechten Seite des Geräts abnehmen. Die Folienklingenbaugruppe an beiden Seiten greifen und vorsichtig vom Rasierer heben (Abb. I).
2. Mit der Basis der Folienklingenbaugruppe vorsichtig gegen eine ebene Fläche stoßen, damit die Haare herausfallen. Die Folienklingen nicht entfernen, weil sie versehentlich beschädigt werden könnten.
3. Die Haare vorsichtig aus den Schneidevorrichtungen bürsten. Die Schneidevorrichtungen können bei Bedarf vom Rasierer entfernt werden. Alle restlichen losen Haare durch Blasen entfernen.
4. Die Schneidevorrichtungen und Folienklingenbaugruppe wieder anbringen.

## RICHTLINIEN ZUR NUTZUNG VON LITHIUM-IONEN-AKKUS

1. Der im Lieferumfang des Geräts enthaltene Lithium-Ionen-Akku entwickelt keinen Memory-Effekt, wie dies bei Nickel-Metallhydrid (NiMH)- oder Nickel-Cadmium (NiCd)-Batterien der Fall ist. Der Rasierer kann jederzeit in das Ladegerät eingesetzt werden, um ihn vollständig aufzuladen oder um ihn zu verwenden, bevor er vollständig aufgeladen ist. Wie die meisten wiederaufladbaren Akkus liefern auch Lithium-Ionen-Akkus optimale Leistung, wenn sie häufig verwendet werden.
2. Den Rasierer in teilweise entladene Zustand aufbewahren, wenn er über mehrere Monate hinweg nicht verwendet wird, um eine maximale Akku-Haltbarkeit zu erzielen. Um den Akku zu entladen, den Rasierer laufen lassen, bis er automatisch ausgeschaltet wird.
3. Das Gerät nicht in der Nähe von Heizungsschächten, Heizkörpern oder in direktem Sonnenlicht ablegen. Für einen optimalen Ladevorgang wird eine gleichbleibende Temperatur vorausgesetzt. Ein plötzliches Ansteigen der Temperatur kann dazu führen, dass der Akku nicht vollständig aufgeladen wird.
4. Die Lebensdauer des Lithium-Ionen-Akkus wird von vielen Faktoren beeinflusst. Die Laufzeitleistung eines Akkus, der ständig in Betrieb ist oder der älter als ein Jahr ist, unterscheidet sich evtl. von der eines neuen Akkus.
5. Neue Lithium-Ionen-Akkus, die längere Zeit nicht benutzt wurden, können möglicherweise nicht vollständig aufgeladen werden. Dies ist normal und weist nicht auf eine Störung des Akkus oder Ladegeräts hin. Der Akku nimmt eine vollständige Ladung an, nachdem er mehrere Rasierer-Benutzungs- und Aufladezyklen durchlaufen hat.
6. Das Ladegerät oder den Rasierer von der Steckdose trennen, wenn es/er voraussichtlich längere Zeit nicht verwendet wird.

## ORDNUNGSGEMÄSSE ENTSORGUNG VON AKKUS

Das von Ihnen erworbene Produkt enthält einen aufladbaren Akku. Dieser Akku kann dem Recycling zugeführt werden. Bitte entsorgen Sie diesen Akku umweltgerecht. Nähere Informationen zu Recycling-Möglichkeiten oder zur ordnungsgemäßen Entsorgung erhalten Sie von Ihrer regionalen Entsorgungsbehörde.

## ORDNUNGSGEMÄSSE ENTSORGUNG DIESES PRODUKTS

Aus dieser Kennzeichnung geht hervor, dass das Produkt innerhalb der EU nicht mit anderem Hausmüll entsorgt werden sollte. Entsorgen Sie dieses Gerät bitte vorschriftsmäßig, um der Umwelt bzw. der menschlichen Gesundheit nicht durch unkontrollierte Müllbeseitigung zu schaden. Recyceln Sie das Gerät auf umweltgerechte Weise, um die nachhaltige Wiederverwertung von stofflichen Ressourcen zu fördern. Bitte entsorgen Sie Altgeräte über geeignete Rückgabe- und Sammelsysteme oder senden Sie das Gerät zur Entsorgung an die Stelle, bei der Sie es gekauft haben. Diese wird dann das Gerät der umweltfreundlichen Verwertung zuführen.



## REPARATURSERVICE IM WERK

Sollten die Schneidevorrichtungen Ihres Andis-Rasierers nach wiederholter Verwendung stumpf werden, wird empfohlen, einen neuen Satz Schneidevorrichtungen und eine neue e Folienklingenbaugruppe zu kaufen. Sie sind bei Ihrem Andis-Lieferanten oder einer autorisierten Andis-Kundendienststelle erhältlich. Wenn Sie den Rasierer außerdem warten möchten, sollten Sie ihn sorgfältig verpacken und entweder per Post (versichert) oder UPS an ein Service-Center senden. **Falls Sie ein Problem bei der Kontaktaufnahme mit Ihrem Andis-Lieferanten haben, können Sie auch die Andis Company-Kundendienstabteilung unter 1-262-884-2600 (USA) oder per E-Mail unter info@andisco.com erreichen. Um eine autorisierte Andis-Kundendienststelle in Ihrer Nähe zu finden, melden Sie sich bei www.andis.com an oder kontaktieren Sie unsere Kundendienstabteilung telefonisch unter 1-262-884-2600 (USA) oder per E-Mail unter info@andisco.com.**

## ITALIANO

Prima di utilizzare il rasoio Andis, si prega di leggere le seguenti istruzioni. Averne cura come si farebbe con un qualsiasi strumento di precisione di qualità, per un funzionamento altamente affidabile negli anni.

## MISURE DI SICUREZZA

Durante l'utilizzo di un'apparecchiatura elettrica, è necessario osservare sempre delle precauzioni basilari, tra cui le seguenti: **Prima di utilizzare il rasoio Andis, leggere tutte le istruzioni. Questo prodotto non deve essere usato da bambini.**

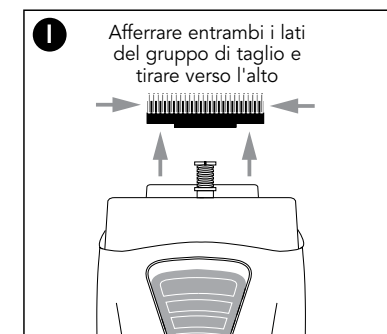
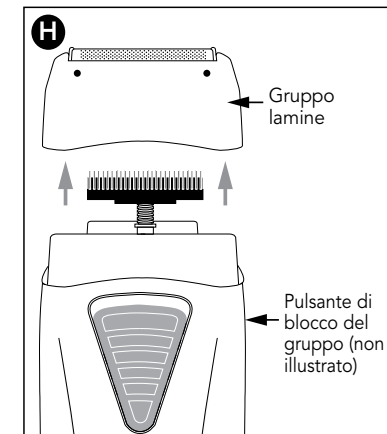
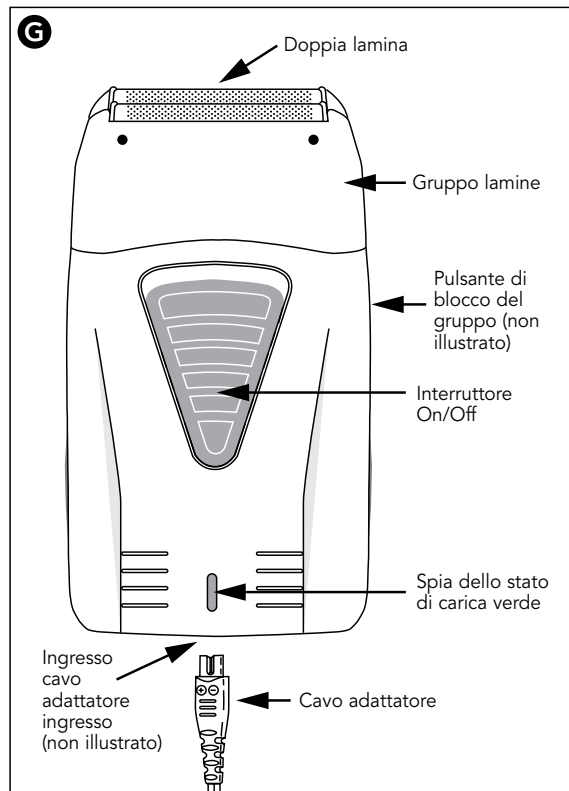
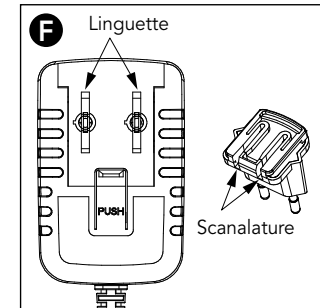
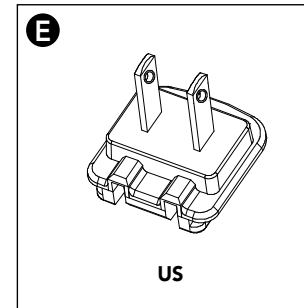
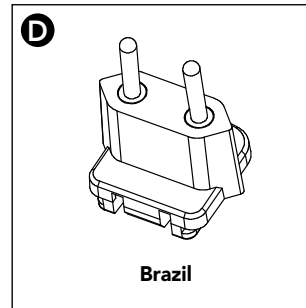
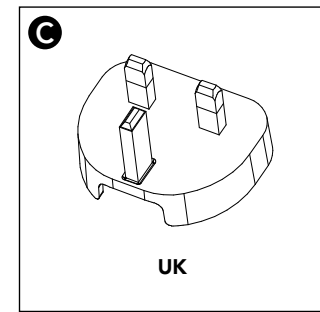
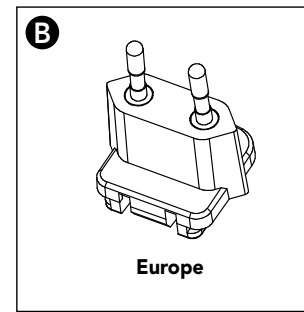
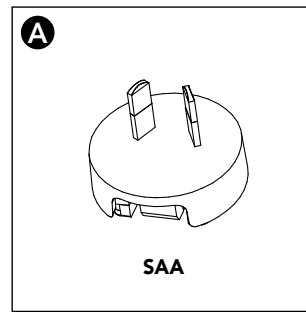
## PERICOLO! Per ridurre il rischio di folgorazione:

1. Non toccare alcun apparecchio caduto in acqua e scollegarne immediatamente la spina dalla presa elettrica. Non usare mai l'apparecchio in prossimità dell'acqua.
2. Non usare apparecchi elettrici mentre si fa il bagno o la doccia.
3. Non appoggiare né conservare l'apparecchio su superfici dalle quali possa cadere o essere tirato nella vasca o nel lavandino. Non immergerlo né farlo cadere in acqua o in un altro liquido.
4. Scollegare sempre l'apparecchio dalla presa elettrica immediatamente dopo l'uso. Scollegare afferrando e tirando la spina, non il cavo.
5. Scollegare sempre l'apparecchio dalla rete elettrica prima della pulizia e della rimozione o dell'assemblaggio dei componenti.

## AVVERTENZA – Per limitare il rischio di ustioni, incendio, folgorazione o lesioni:

1. L'apparecchio non deve mai essere lasciato incustodito mentre è collegato alla presa elettrica.
2. Questo apparecchio non è destinato ad essere usato da persone (bambini compresi) con deficit fisico, sensoriale o mentale, oppure prive di conoscenze o esperienza, in assenza di adeguata supervisione o istruzioni per l'uso da parte di una persona responsabile della loro sicurezza.
3. **ATTENZIONE: Il caricabatterie può essere usato da bambini solo a partire da 8 anni. Istruire in modo appropriato i bambini affinché siano in grado di usare il caricabatterie in modo sicuro; spiegare che non si tratta di un giocattolo.**
4. Spiegare ai bambini che le batterie non ricaricabili non devono essere ricaricate; pericolo di eruzioni.
5. Questo apparecchio non è adatto all'uso da parte di persone (tra cui i bambini) con ridotte capacità fisiche, sensoriali o mentali o mancanza di conoscenza o di esperienza, a meno che non siano sorvegliate o istruite sul suo uso da una persona responsabile per la loro incolumità.

6. La pulizia e la manutenzione non devono essere eseguite da bambini senza supervisione.
7. È necessario sorvegliare i bambini per garantire che non giochino con l'apparecchio.
8. Impiegare l'apparecchio solamente per l'uso previsto, come descritto nel presente manuale. Usare solamente gli accessori consigliati dalla Andis.
9. Non usare l'apparecchio se il cavo o la spina sono danneggiati, se funziona male, se è stato danneggiato, oppure se è caduto per terra o in acqua. Inviarlo a un centro di assistenza Andis per l'ispezione e l'eventuale riparazione.
10. Tenere il cavo elettrico lontano dalle superfici calde.
11. Non lasciar cadere o inserire alcun oggetto nelle fessure. Inserire nella presa dell'apparecchio solo lo spinotto dell'alimentatore.
12. Non adoperare l'elettrodomestico all'aperto né in presenza di prodotti spray (aerosol) o durante l'uso di ossigeno.
13. Non usare l'elettrodomestico se le lame o i pettini accessori sono danneggiati o rotti: pericolo di lesioni cutanee.
14. Inserire sempre prima lo spinotto nell'elettrodomestico e poi la spina nella presa di corrente. Per scollegare il prodotto dalla rete, staccare la spina dalla presa solo dopo averlo spento (interruttore su "0").
15. La batteria dell'apparecchio è stata progettata per garantire una lunga durata senza problemi. Tuttavia, come tutte le batterie, è soggetta a esaurimento con il tempo. Non smontare il rasoio e non sostituire la batteria.
16. Verificare periodicamente l'assenza di danni al caricabatterie, in particolare al cavo, alla spina e all'involucro. Se il caricabatterie è danneggiato, non deve essere utilizzato fino a quando non è stato riparato.
17. Le batterie possono essere dannose per l'ambiente se smaltite impropriamente. Molti comuni offrono modalità di riciclaggio o di raccolta della batterie. Contattare l'ente locale competente per informazioni sulle modalità di smaltimento nella propria area.
18. Prima di smaltire le batterie usate, coprire i terminali con nastro adesivo resistente, per impedire cortocircuiti. **AVVERTENZA: Non cercare di distruggere o smontare l'apparecchio né rimuovere alcuno dei suoi componenti. Non toccare entrambi i terminali con oggetti metallici e/o parti del corpo, poiché potrebbe verificarsi un cortocircuito. Tenere lontano dalla portata dei bambini. La mancata osservanza delle precedenti avvertenze può provocare incendi o lesioni gravi.**



- 19. AVVERTENZA: Al fine di ricaricare la batteria, servirsi esclusivamente dell'alimentatore rimovibile per il modello TS-1 fornito in dotazione.**
20. L'apparecchio viene fornito solo a una tensione di sicurezza molto bassa corrispondente alla marcatura presente sullo stesso.
21. Tenere l'apparecchio asciutto.

## CONSERVARE QUESTE ISTRUZIONI

### ADATTATORE UNIVERSALE C.A./C.C.

La base di appoggio e di carica dell'unità è dotata di un alimentatore/adattatore universale in c.a./c.c. Contiene cinque spine intercambiabili per l'uso nella maggior parte dei paesi (Figuras A-E).

### RIMOZIONE DELLA SPINA

1. Scollegare l'alimentatore in c.a./c.c. dalla presa a muro.
2. Premendo il pulsante che si trova sulla spina, spingerla delicatamente verso l'alto finché non si stacca dall'alimentatore.

### INSERIMENTO DELLA SPINA

1. Per rimontare la spina, allineare le linguette sull'alimentatore alle scanalature sulla presa (Figura F).
2. Spingere delicatamente la spina nell'alimentatore, finché non si inserisce con uno scatto.

## ISTRUZIONI PER L'USO

- La batteria non è predisposta per essere sostituita dall'utente.
- La batteria deve essere rimossa dall'apparecchio prima di essere eliminata.
- L'apparecchio deve essere scollegato dalla presa di corrente quando si rimuove la batteria.
- La batteria deve essere smaltita in sicurezza.

### CARICA DEL RASOIO

**Il rasoio non è precaricato in fabbrica. Per ottenere il massimo rendimento, caricare il rasoio per almeno 2 ore prima del primo utilizzo.**

Il caricabatterie è destinato all'uso con le batterie agli ioni di litio contenute nel modello Andis TS-1, con capacità nominale di 3,7 V 2,96 Wh. Rimuovere il rasoio e l'adattatore c.a. dalla confezione. Inserire l'adattatore in una presa 100-240 V CA o conforme agli standard energetici locali. Per consentire la carica della batteria, l'interruttore ON/OFF del rasoio deve trovarsi in posizione OFF. Inserire il cavo adattatore direttamente nell'ingresso alla base del rasoio (Figura G). Si accenderà la spia verde dello stato di carica del rasoio. Una volta raggiunta la carica completa della batteria, la spia verde dello stato di carica si spegne.

### IN CASO DI MANCATA RICARICA

1. Accertarsi che sia presente tensione nella presa di corrente (verificare con un apparecchio in buone condizioni di funzionamento).
  2. Verificare che il cavo dell'adattatore sia inserito saldamente nel rasoio.
- Se si verificano ancora anomalie in fase di carica, restituire il rasoio ad Andis o a un centro di assistenza autorizzato Andis per esaminare il problema e provvedere alla riparazione o a un'eventuale sostituzione.

### USO DEL CAVO ADATTATORE

Se il rasoio si SPÉGNE durante l'uso, è possibile collegare il cavo adattatore per continuare a utilizzarlo (Figura G). Se il rasoio è in funzione con il cavo di alimentazione collegato, la spia verde dello stato di carica rimane spenta anche se la batteria è parzialmente o completamente scarica. Se il rasoio è in funzione con il cavo collegato, la batteria non si carica.

**L'unità di alimentazione deve essere orientata correttamente in verticale o in piano.**

### PER LA RASATURA

1. Tenere l'unità sempre asciutta e pulita.
2. Rimuovere la protezione in plastica delle testine.
3. Verificare l'integrità delle lamine esterne e delle lame interne. Sostituire i componenti eventualmente danneggiati prima dell'uso. Per maggiori informazioni sulle parti di ricambio, contattare Andis o il centro di assistenza autorizzato Andis più vicino.
4. Verificare che la batteria sia carica.
5. Lavare e asciugare accuratamente la pelle prima della rasatura.
6. Spostare l'interruttore ON/OFF in posizione ON verso l'alto.
7. Tirare leggermente la pelle del viso con la mano libera, muovendo il rasoio lentamente e delicatamente sulla barba. Effettuando brevi passaggi circolari, i peli della barba fuoriescono dalla pelle del viso e la rasatura è più semplice. Tenere il rasoio con un angolo di 90° rispetto al viso, mantenendo il contatto con la lamina.
8. Per ottenere una rasatura più accurata e per evitare l'usura indesiderata delle lamine, **assicurarsi che entrambe le lamine siano sempre a contatto con la pelle simultaneamente.** Se l'angolo del rasoio è inclinato in modo tale da mantenere solo una lamina a contatto con la pelle, la stessa può distorcersi provocando l'irritazione della pelle.
9. Per facilitare il taglio ed evitare l'usura della lamina, utilizzare una pressione minima per applicare il rasoio alla pelle.
10. Per un massimo comfort di rasatura, pulire accuratamente il rasoio dopo l'uso.

## MANUTENZIONE A CURA DELL'UTENTE

La pulizia e la manutenzione non devono essere eseguite da bambini senza supervisione.

Se non si prevede di utilizzare il rasoio a breve, conservare in un luogo sicuro, fresco e asciutto. Non avvolgere il cavo intorno al rasoio. Non appendere il rasoio agganciandolo dal cavo. Oltre alla manutenzione suggerita, descritta in questo manuale, non si dovrà eseguire nessun'altra operazione tranne quelle a cura della Andis Company o di un Centro di assistenza autorizzato Andis.

**IMPORTANTE:** per ottenere il miglior rendimento possibile, si raccomanda di sostituire il gruppo lamine del rasoio e le lame ogni sei mesi.

### SOSTITUZIONE DEL GRUPPO LAMINE

1. Rimuovere il gruppo lamine premendo il pulsante tondo per lo sblocco del gruppo situato sul lato destro del rasoio. Afferrare il gruppo lamine da entrambi i lati e sollevarlo delicatamente (Figura H).
2. Posizionare il gruppo lamine di ricambio sulle lame. Prestare attenzione a non danneggiare le lamine. Far scorrere delicatamente il gruppo lamine verso il basso fino a farlo scattare saldamente in posizione.

### SOSTITUZIONE DELLE LAME

**NOTA:** Sostituire sempre il gruppo lamine al momento della sostituzione delle lame.

1. Per rimuovere una lama, afferrarla da entrambi i lati e tirare verso l'alto (Figura I).
2. Per sostituire una lama, mantenerla da entrambi i lati e allineare l'alberino in metallo sul lato posteriore con la tacca presente sull'unità di azionamento del rasoio, quindi premere con forza verso il basso fino a farla scattare in posizione.
3. Sostituire il gruppo lamine.

### PULIZIA

Per mantenere un rendimento ottimale e il massimo comfort del rasoio, è necessario pulirlo regolarmente. **NON** azionare il rasoio, il gruppo lamine o le lame in acqua. Per effettuare la pulizia, servirsi esclusivamente dello spazzolino (incluso).

### PULIZIA A SECCO CON LO SPAZZOLINO

1. Rimuovere il gruppo lamine premendo il pulsante tondo situato sul lato destro dell'unità. Afferrare il gruppo lamine da entrambi i lati per sollevarlo delicatamente (Figura I).
2. Battere leggermente alla base del gruppo lamine su una superficie piana in modo da far fuoriuscire i peli contenuti. Non rimuovere le lamine per non danneggiarle accidentalmente.
3. Spazzolare leggermente per rimuovere i peli dalle lame. Se necessario, possono essere rimosse dal rasoio. Soffiare per rimuovere eventuali peli residui.
4. Sostituire le lame e il gruppo lamine.

## SEGUIRE LE ISTRUZIONI RELATIVE ALLE BATTERIE AGLI IONI DI LITIO

1. Il pacco batterie agli ioni di litio contenuto nel rasoio non presenta un "effetto memoria" come avviene invece per le batterie al nichel-metallo idruro (NiMH), o nichel-cadmio (NiCd). Il rasoio può pertanto essere reinserito nel caricabatterie in qualsiasi momento per essere caricato completamente, ovvero la batteria può essere utilizzata prima di essere completamente carica. Come per la maggior parte delle batterie ricaricabili, le batterie agli ioni di litio hanno migliori prestazioni se utilizzate di frequente.
2. Per ottenere la massima durata, conservare il rasoio parzialmente scarico se si prevede di non utilizzarlo per alcuni mesi. Per scaricare la batteria, mettere in funzione il rasoio e attendere che si spenga automaticamente.
3. Evitare di lasciare il rasoio vicino a bocchette di uscita di aria calda, radiatori o alla luce diretta del sole. Una temperatura stabile garantisce una carica ottimale. Un aumento improvviso della temperatura può impedire al pacco batterie di caricarsi completamente.
4. Sono molti i fattori che influenzano la durata di vita del pacco batterie agli ioni di litio. Un pacco batterie molto utilizzato o di età superiore a un anno potrebbe non fornire lo stesso rendimento di un pacco batterie nuovo.
5. I pacchi batterie agli ioni di litio nuovi o non utilizzati per un certo periodo potrebbero non caricarsi completamente. Si tratta di un fenomeno normale che non indica un problema della batteria o del caricabatterie. La batteria si carica completamente dopo diversi cicli di uso e ricarica del rasoio.
6. Scollegare il caricabatterie o il rasoio dalla presa di alimentazione CA se si prevede di non usarlo a breve.

## SMALTIMENTO CORRETTO DELLE BATTERIE

Il prodotto acquistato contiene una batteria ricaricabile. La batteria è riciclabile. Quando la batteria è esaurita, secondo le norme di legge, potrebbe essere illegale smaltirla insieme ai rifiuti urbani. Rivolgersi alle autorità locali competenti per informazioni su come riciclare o smaltire in modo adeguato la batteria.

## SMALTIMENTO CORRETTO DI QUESTO PRODOTTO

Questo marchio indica che il prodotto non deve essere smaltito con altri rifiuti domestici nei Paesi della UE. Per evitare potenziali danni per l'ambiente o la salute umana dovuti allo smaltimento incontrollato dei rifiuti, riciclare il prodotto in modo responsabile per favorire un riutilizzo sostenibile delle risorse materiali. Per restituire il dispositivo usato, utilizzare i sistemi di restituzione e raccolta oppure rivolgersi al rivenditore da cui è stato acquistato il prodotto, che potrà riciclarlo in modo sicuro per l'ambiente.



## SERVIZIO DI RIPARAZIONE IN FABBRICA

Una volta consumate le lame del rasoio Andis, dopo essere state ripetutamente utilizzate, si consiglia di acquistare una nuova serie di lame e un gruppo lamine, disponibili presso i distributori Andis o presso i centri di assistenza autorizzati Andis. Se si desidera richiedere anche la manutenzione del rasoio, lo stesso deve essere confezionato accuratamente e spedito come pacco assicurato o tramite corriere U.P.S. a uno dei centri di assistenza. **In caso di problemi di comunicazione con il distributore Andis, contattare il servizio clienti dell'azienda Andis telefonando al numero 1-262-884-2600 oppure inviando un e-mail all'indirizzo info@andisco.com. Per trovare il centro assistenza autorizzato Andis più vicino, accedere al sito www.andis.com o contattare il servizio clienti dell'azienda Andis telefonando al numero 1-262-884-2600 oppure inviando un e-mail all'indirizzo info@andisco.com.**

## NEDERLANDS

De volgende instructies doorlezen alvorens het nieuwe Andis scheerapparaat te gebruiken. Als dit precisie-instrument de zorg krijgt die het verdient, zal het u jarenlang goede diensten bewijzen.

## BELANGRIJKE VOORZORGEN

Bij het gebruik van een elektrisch apparaat moeten altijd basisvoorzorgen worden genomen, zoals: **Alle instructies lezen alvorens het Andis scheerapparaat te gebruiken. Dit product is niet voor gebruik door kinderen.**

## GEVAAR: Neem het volgende in acht om het risico van elektrische schok te beperken:

1. Probeer nooit een in het water gevallen apparaat uit het water te halen. Trek de stekker onmiddellijk uit het stopcontact. Gebruik de trimmer nooit in de buurt van water.
2. Gebruik het apparaat niet in het bad of de douche.
3. Plaats of bewaar het apparaat niet waar het in het bad of de wastafel kan vallen of erin kan worden getrokken. Laat het apparaat niet vallen en leg het niet in water of een andere vloeistof.
4. Trek de stekker van het apparaat altijd meteen na gebruik uit het stopcontact. Trek aan de stekker en niet aan het snoer om de stekker uit het stopcontact te halen.
5. Trek de stekker van het apparaat uit het stopcontact voordat u onderdelen reinigt, verwijdert of monteert.

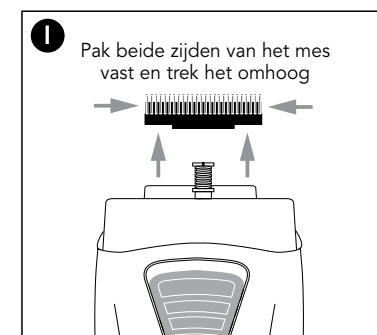
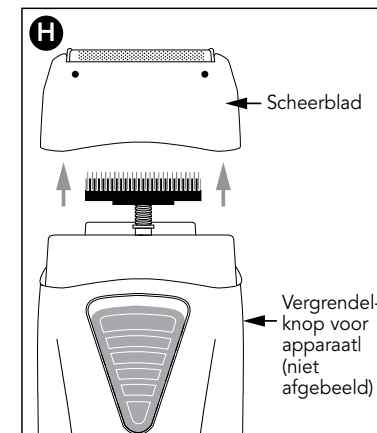
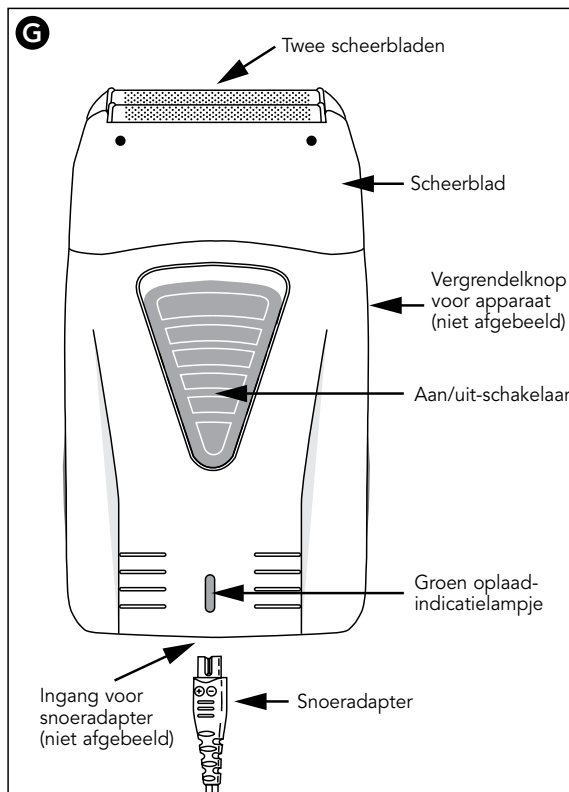
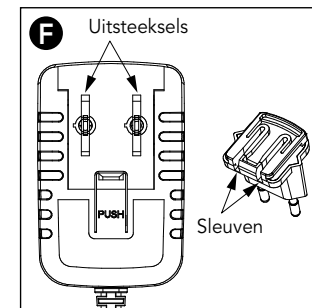
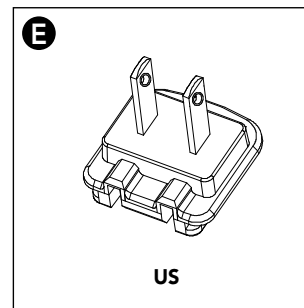
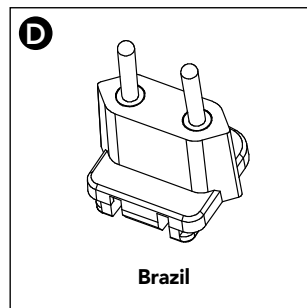
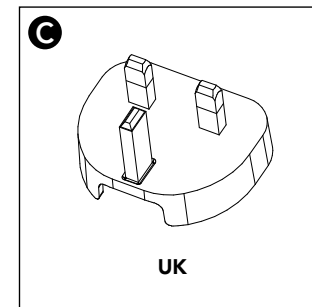
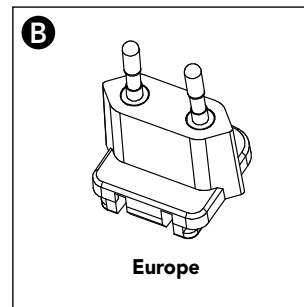
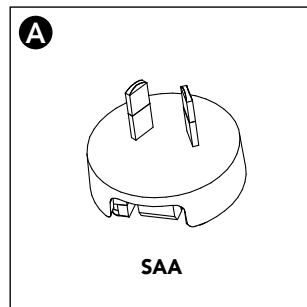
## WAARSCHUWING: Neem het volgende in acht om het risico van brandwonden, brand, een elektrische schok of letsel bij personen te voorkomen:

1. Laat een apparaat nooit zonder toezicht achter als de stekker in het stopcontact zit.
2. Dit apparaat kan worden gebruikt door kinderen van 8 jaar en ouder en personen met beperkte fysieke, zintuiglijke of mentale vermogens, of met gebrek aan ervaring en kennis, als ze supervisie en instructies over het veilige gebruik van dit apparaat hebben gekregen en de gevaren ervan begrijpen.
3. **VOORZICHTIG: Alleen kinderen van ten minste 8 jaar oud mogen de batterijlader gebruiken. Voldoende aanwijzingen geven zodat het kind de batterijlader op veilige wijze kan gebruiken, en uitleggen dat het geen speelgoed is en dat er niet mee gespeeld mag worden.**
4. Het kind uitleggen dat het niet mag proberen niet-oplaadbare batterijen op te laden omdat gevaar bestaat dat ze barsten.
5. Dit apparaat is niet bedoeld voor gebruik door personen (inclusief kinderen) met een lichamelijke, zintuiglijke of verstandelijke handicap, of die geen ervaring of kennis ervan hebben, tenzij ze



onder toezicht staan of aanwijzingen over het gebruik van het apparaat hebben gekregen van een persoon die verantwoordelijk is voor hun veiligheid.

6. Reiniging en onderhoud mogen niet zonder toezicht door kinderen worden uitgevoerd.
7. Kinderen mogen niet met het apparaat spelen.
8. Gebruik dit apparaat uitsluitend voor het in deze gebruiksaanwijzing beschreven gebruiksdoel. Gebruik geen opzetstukken die niet door Andis worden aanbevolen.
9. Gebruik dit apparaat nooit als het snoer of de stekker is beschadigd, als het niet naar behoren werkt, als het is gevallen of is beschadigd of in het water is gevallen. Retourneer het apparaat naar een Andis reparatiecenter voor inspectie en reparatie.
10. Houd het netsnoer uit de buurt van verwarmde oppervlakken.
11. Zorg dat u nooit een voorwerp in een opening van het apparaat laat vallen of inbrengt. Alleen de stekker van de laadtransformator in het contact van het scheerapparaat steken.
12. Gebruik het apparaat niet buiten en gebruik het niet samen met sprayproducten (aerosol) of waar zuurstof wordt toegediend.
13. Gebruik dit apparaat niet met beschadigde of kapotte mesjes of een beschadigde of kapotte kam omdat de huid hierdoor letsel kan oplopen.
14. De stekker altijd eerst op het apparaat aansluiten en dan pas op de wandcontactdoos. Om het apparaat los te koppelen zet u de schakelaar op 'OFF' en trekt u de stekker uit het stopcontact.
15. De batterij in dit scheerapparaat is ontworpen voor maximale levensduur en probleemloos gebruik. Zoals alle batterijen raakt hij echter uiteindelijk op. Het scheerapparaat niet uit elkaar halen en proberen de batterij te vervangen.
16. De batterijlader regelmatig onderzoeken op beschadiging, vooral het snoer, de stekker en de behuizing. Als de batterijlader beschadigd is, mag hij niet worden gebruikt voordat hij gerepareerd is.
17. Batterijen kunnen schadelijk voor het milieu zijn als ze niet op de juiste manier worden afgevoerd. In veel gemeenten worden batterijen gerecycled of verzameld. Neem contact op met de plaatselijke overheid over afvoermethoden in uw omgeving.
18. Wanneer oude batterijen worden afgevoerd, moeten de batterijpolen met zwaar plakband worden bedekt om kortsluiting te voorkomen. **WWAARSCHUWING: niet proberen het scheerapparaat te vernietigen of uit elkaar te halen of de onderdelen ervan te verwijderen. Ook nooit metalen polen met metalen voorwerpen en/of lichaamsdelen aanraken, want dit kan kortsluiting veroorzaken. Buiten bereik van kinderen houden. Als deze waarschuwingen niet worden opgevolgd, kan brand of ernstig letsel ontstaan.**



19. **WAARSCHUWING: voor het opladen van de batterij uitsluitend de bij het apparaat geleverde afneembare stroomvoorzieningseenheid voor model TS-1 gebruiken.**
20. Dit toestel wordt alleen geleverd met veilige, extra lage spanning zoals aangegeven op het toestel.
21. Het apparaat droog houden.

## DEZE INSTRUCTIES BEWAREN

### UNIVERSELE AC/DC STROOMADAPTER

Het apparaat/de oplaadstandaard is voorzien van een universele wisselstroom/gelijkstroom-adapter. Er worden vijf verwisselbare ingangstekkers bijgeleverd die gebruikt kunnen worden in de meeste landen van de wereld (afbeelding A-E).

#### INGANGSSTEKKER VERWIJDEREN:

1. Haal de wisselstroom/gelijkstroom-adapter uit het stopcontact.
2. Druk op de knop op de ingangstekker en duw de stekker voorzichtig omhoog totdat hij uit de stroomadapter loslaat.

#### INGANGSSTEKKER VERVANGEN:

1. Om de ingangstekker te vervangen, de uitsteeksels op de wisselstroom/gelijkstroom-adapter uitlijnen met de sleuven op de ingangstekker (afbeelding F).
2. Druk de ingangstekker voorzichtig in de netadapter totdat hij op zijn plaats vastklikt.

## GEBRUIKSAANWIJZING

- De batterij is niet bestemd om door de gebruiker te worden vervangen.
- De batterij moet uit het apparaat worden genomen voordat het wordt weggegooid.
- Het apparaat moet van het stopcontact zijn losgekoppeld voordat de batterij wordt weggenomen.
- De batterij moet op veilige wijze worden afgevoerd.

### SCHEERAPPARAAT OPLADEN

Het scheerapparaat is in de fabriek niet opgeladen. Laad het scheerapparaat vóór het eerste gebruik minstens 2 uur lang op voor maximale prestaties.

Deze batterijlader is bedoeld voor gebruik met een Andis model TS-1 lithium-ion-batterij met een nominale capaciteit van 3,7 V 2,96 Wh. Neem het scheerapparaat en de AC-adapter uit de verpakking. Sluit de adapter aan op een 100-240 V wandcontactdoos, of volgens de plaatselijke energienormen. De AAN/UIT-schakelaar van het scheerapparaat moet in de stand UIT staan om de batterij op te kunnen laden. Sluit de snoeradapter rechtstreeks aan op de ingang aan de onderkant van het scheerapparaat (afbeelding G). Het groene oplaadindicatielampje op het scheerapparaat gaat branden. Wanneer de batterij geheel is opgeladen, gaat het groene oplaadindicatielampje uit.

### APPARAAT LAADT NIET OP

1. Controleer of er spanning staat op de wandcontactdoos (bevestig dit met een apparaat waarvan u weet dat het werkt).
2. Controleer of het snoer van de adapter stevig op het scheerapparaat is aangesloten. Als het scheerapparaat nog steeds niet wordt opgeladen, kunt u het naar Andis of een door Andis erkend reparatiecentrum retourneren voor onderzoek en reparatie of vervanging.

### GEBRUIK MET NETSNOER

Als het scheerapparaat tijdens gebruik afslaat, kan het netsnoer worden aangesloten zodat u het kunt blijven gebruiken met een snoer (afbeelding G). Wanneer het scheerapparaat werkt met het snoer bevestigd, blijft het groene oplaadindicatielampje uit, zelfs als de batterij geheel of

gedeeltelijk is ontladen. Het scheerapparaat wordt niet opgeladen wanneer het wordt gebruikt terwijl het netsnoer is bevestigd.

**Het is de bedoeling dat deze voedingseenheid correct georiënteerd wordt in een verticale of op de vloer geplaatste positie.**

### VOOR HET SCHEREN

1. Zorg dat de eenheid steeds schoon en droog blijft.
2. Verwijder de kunststof beschermkap van de kop.
3. Controleer of de scheerbladen aan de buitenkant en de messen aan de binnenkant niet beschadigd zijn. Vervang beschadigde onderdelen vóór gebruik. Voor meer informatie over vervangende onderdelen kunt u contact opnemen met Andis of het dichtstbijzijnde door Andis erkende reparatiecentrum.
4. Controleer of de batterij is opgeladen.
5. Was en droog uw huid grondig voordat u zich scheert.
6. Schuif de AAN/UIT-schakelaar in de stand AAN.
7. Strek de huid van uw gezicht voorzichtig met uw vrije hand en beweeg het scheerapparaat langzaam en soepel tegen de groeirichting van uw baard in. Als u zich met korte, ronde bewegingen scheert, gaan uw baardharen rechtop staan en gaat het scheren gemakkelijker. Houd het scheerapparaat onder een hoek van 90 graden op uw gezicht en terwijl het contact houdt met het scheerblad.
8. Om u zo glad mogelijk te scheren en onnodige slijtage van het scheerblad te voorkomen, **moet u ervoor zorgen dat beide scheerbladen steeds tegelijk contact maken met de huid.** Als u het scheerapparaat onder een hoek houdt waarbij slechts één scheerblad contact met de huid maakt, vervormt het scheerblad en kan huidirritatie ontstaan.
9. Om het scheren te vereenvoudigen en slijtage van het scheerblad te voorkomen, moet u minimale druk met het scheerapparaat op uw huid uitoefenen.
10. Voor maximaal scheercomfort moet u het scheerapparaat na gebruik grondig schoonmaken.

## ONDERHOUD DOOR GEBRUIKER

Reiniging en onderhoud mogen niet zonder toezicht door kinderen worden uitgevoerd.

Als het scheerapparaat lange tijd niet gebruikt gaat worden, het op een veilige, koele, droge plaats opbergen. Het snoer niet strak om het scheerapparaat wikkelen. Het scheerapparaat niet aan het snoer ophangen. Behalve het in deze handleiding beschreven aanbevolen onderhoud mag er geen ander onderhoud worden uitgevoerd, behalve door Andis Company of een door Andis erkend reparatiecentrum.

**BELANGRIJK:** voor de beste scheerprestaties en resultaten wordt aanbevolen het scheerblad en de messen van het scheerapparaat om de zes maanden te vervangen.

### HET SCHEERBLAD VERVANGEN

1. Verwijder het scheerblad door op de ronde vergrendelknop van de eenheid te drukken, die zich aan de rechterkant van het scheerapparaat bevindt. Pak het scheerblad aan beide kanten vast en til het voorzichtig van het scheerapparaat af (afbeelding H).
2. Plaats het nieuwe scheerblad over de messen. Zorg dat u de scheerbladen niet beschadigt. Schuif het scheerblad voorzichtig omlaag tot het stevig vastklikt.

### MESSEN VERVANGEN

**OPMERKING:** vervang het scheerblad altijd wanneer u de messen vervangt.

1. Om een mes te verwijderen, pakt u het aan beide kanten vast en trekt u het omhoog (afbeelding I).
2. Om een mes te vervangen, houdt u het aan beide kanten vast en lijnt u het metalen asje aan de onderkant uit met de inkeping op de aandrijving van het scheerapparaat en drukt u het stevig omlaag tot het vastklikt.
3. Vervang het scheerblad.

### SCHOONMAKEN

Het scheerapparaat moet regelmatig worden schoongemaakt om optimale prestaties en maximaal comfort te behouden. Het scheerapparaat, het scheerblad of de messen niet onder water laten werken. Gebruik alleen het borsteltje (bijgeleverd) om het apparaat schoon te maken.

## DROOG SCHOONMAKEN MET BORSTELTJE

1. Verwijder het scheerblad door op de ronde knop te drukken die zich aan de rechterkant van het scheerapparaat bevindt. Pak het scheerblad aan beide kanten vast en til het voorzichtig van het scheerapparaat af (afbeelding I).
2. Tik de basis van het scheerblad voorzichtig tegen een vlakke ondergrond zodat de haartjes eruit vallen. Verwijder de scheerbladen niet, want dan kunnen ze ongewild beschadigd raken.
3. Borstel de haartjes voorzichtig uit de messen. U kunt ze indien nodig uit het scheerapparaat verwijderen. Blaas eventueel resterende losse haartjes eruit.
4. Plaats de messen en folie-eenheid terug.

## RICHTLIJNEN VOOR GEBRUIK VAN LITHIUM-ION BATTERIJEN

1. Bij de bij het scheerapparaat geleverde lithium-ion batterij ontstaat geen 'geheugeneffect' zoals bij een nikkel-metaalhydride (NiMH) of nikkel-cadmium (NiCd) batterij. U kunt het scheerapparaat op ieder moment weer in de oplader zetten om het volledig op te laden, of de batterij zelfs gebruiken voordat een oplaadcyclus is voltooid. Zoals de meeste oplaadbare batterijen werken lithium-ion batterijen het best als ze regelmatig worden gebruikt.
2. Voor een maximale levensduur van de batterij het scheerapparaat in een gedeeltelijk ontladen toestand bewaren als de eenheid gedurende meerdere maanden niet wordt gebruikt. Om de batterij te ontladen, het scheerapparaat laten werken totdat het automatisch wordt uitgeschakeld.
3. Het scheerapparaat niet in de nabijheid van verwarmingsopeningen, radiatoren of in direct zonlicht plaatsen. Het laden verloopt optimaal als de temperatuur stabiel is. Plotselinge temperatuurverhogingen kunnen ertoe leiden dat de batterij minder dan volledig wordt opgeladen.
4. De levensduur van een lithium-ion batterij wordt door vele factoren beïnvloed. Een batterij die veel is gebruikt of die meer dan een jaar oud is, zal waarschijnlijk niet even lang werken als een nieuw batterijpack.
5. Nieuwe lithium-ion batterijen, die gedurende een bepaalde tijd niet zijn gebruikt, kunnen mogelijk niet volledig worden opgeladen. Dit is normaal en wijst niet op een probleem met de batterij of oplader. De batterij kan volledig worden opgeladen nadat het scheerapparaat enkele malen is gebruikt en opgeladen.
6. De stekker van de oplader of het scheerapparaat uit het wandstopcontact nemen als verwacht wordt dat het lange tijd niet gebruikt zal worden.

## AFVOEREN VAN BATTERIJEN

Het product dat u heeft aangeschaft bevat een oplaadbare batterij. De batterij is recyclebaar. Voer deze batterij op een verantwoordelijke manier af. Neem contact op met de betrokken plaatselijke functionarissen voor details over recyclingopties of de juiste afvoermethode in uw regio.

## JUISTE AFVOER VAN DIT PRODUCT

Dit merkteken geeft aan dit product nergens in de EU met ander huishoudelijk afval mag worden afgevoerd. Om mogelijke schade aan het milieu of de menselijke gezondheid door ongeregelde afvoer van afval te voorkomen, dient u het op verantwoorde wijze te recyclen teneinde duurzaam hergebruik van hulpstoffen te verzekeren. Om een gebruikt apparaat terug te zenden, gebruikt u het retour- en inzamelsysteem of neemt u contact op met de zaak waar u het product heeft gekocht. Daar kan het product voor milieuveilige recycling worden aangeboden.



## FABRIEKSREPARATIE

Als de messen van het Andis scheerapparaat na herhaald gebruik bot worden, wordt aangeraden nieuwe messen en een nieuwe folie-eenheid te kopen, die u via uw Andis-leverancier of via een door Andis erkend reparatiecentrum kunt krijgen. Als u wilt dat het scheerapparaat ook gerepareerd wordt, moet het zorgvuldig worden verpakt en als pakketpost of via UPS naar een van de reparatiecentra worden gezonden. **Als u uw Andis-leverancier niet te pakken kunt krijgen, kunt u contact opnemen met de afdeling klantenservice van de Andis Company, tel. 1-262-884-2600 of via email: info@andisco.com. Om een door Andis erkend reparatiecentrum te vinden, kunt u inloggen bij www.andis.com of contact opnemen met onze afdeling klantenservice; telefonisch: 1-262-884-2600, of via e-mail: info@andisco.com.**

## PORTUGUÊS

Leia as seguintes instruções antes de usar seu novo barbeador Andis. Dedique o cuidado que um aparelho construído com precisão refinada merece e ele lhe proporcionará muitos anos de vida útil.

## PRECAUÇÕES IMPORTANTES

Ao usar um aparelho elétrico, siga sempre precauções básicas de segurança, incluindo: Leia todas as instruções antes de usar esse barbeador Andis. Este produto não é para ser usado por crianças.

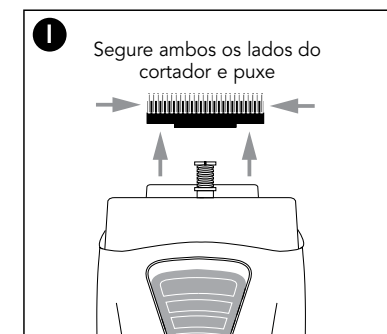
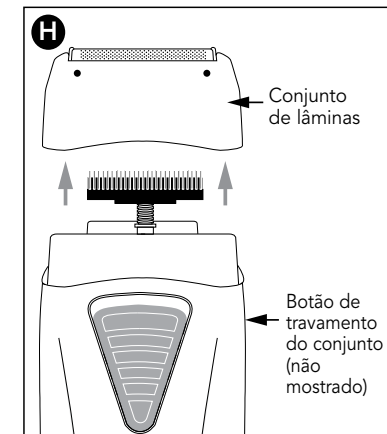
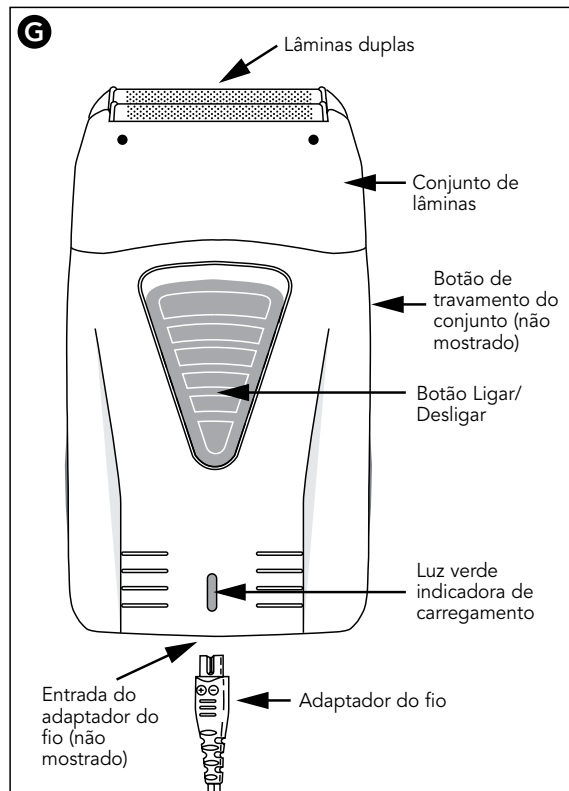
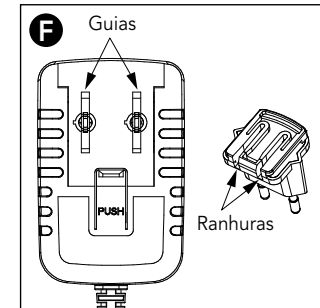
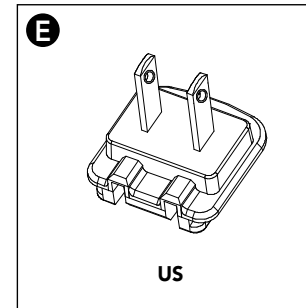
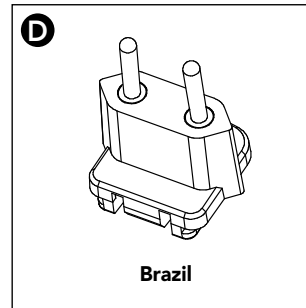
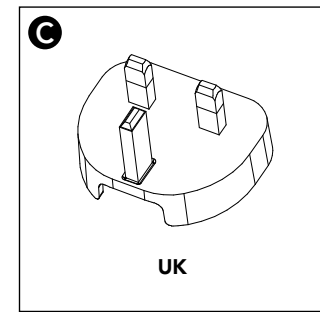
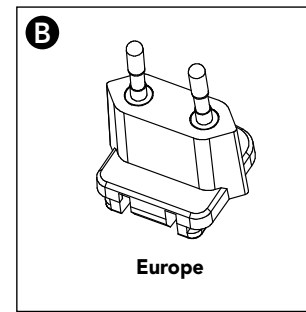
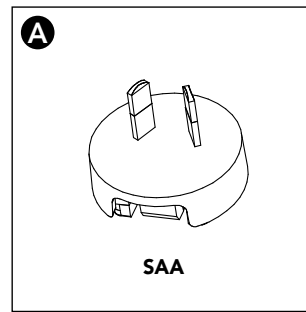
## PERIGO: Para reduzir o risco de choque elétrico:

1. Não tente pegar um aparelho elétrico que caiu na água. Desligue-o da tomada imediatamente. Nunca use a máquina perto da água.
2. Não use enquanto estiver tomando banho.
3. Não coloque ou guarde o aparelho onde ele possa cair ou ser puxado para uma banheira ou pia. Não coloque ou mergulhe na água ou em outro líquido.
4. Desligue sempre este aparelho da tomada elétrica imediatamente após o uso. Tire da tomada segurando e puxando pela tomada do aparelho, não pelo fio.
5. Desligue este aparelho elétrico antes da limpeza, remoção ou montagem das peças.

## ADVERTÊNCIA: Para reduzir o risco de queimaduras, choque elétrico ou lesão às pessoas:

1. Um aparelho elétrico nunca deve ser deixado desatendido quando estiver conectado à uma tomada.
2. Este aparelho pode ser usado por crianças com 8 ou mais anos de idade e por pessoas com capacidades físicas, sensoriais ou mentais reduzidas ou falta de experiência e conhecimento, desde que estejam sob supervisão ou tenham recebido instrução relativa ao uso seguro do aparelho e compreendam os riscos envolvidos.
3. **CUIDADO: Somente crianças maiores de 8 anos de idade podem usar o carregador da bateria. Oriente a criança para que ela use o carregador da bateria de modo seguro e explique que não é para ser usado como um brinquedo.**
4. Oriente a criança para não tentar recarregar baterias não recarregáveis para evitar o perigo de erupção.
5. Este aparelho não se destina ao uso por pessoas (incluindo crianças) com capacidades físicas, sensoriais ou mentais reduzidas, ou falta de experiência e conhecimento, a menos que eles tenham recebido supervisão ou instrução relativa ao uso deste aparelho por uma pessoa responsável pela sua segurança.

6. A limpeza e a manutenção deste aparelho não devem ser realizadas por crianças sem a supervisão de um adulto.
7. Crianças não devem brincar com este aparelho.
8. Use este aparelho elétrico somente para o uso descrito neste manual. Não use acessórios não recomendados pela Andis.
9. Nunca opere este aparelho caso o fio ou a tomada esteja com defeito ou caso ele não esteja funcionando corretamente, tenha caído no chão, esteja danificado ou tenha caído na água. Devolva o aparelho para uma assistência técnica autorizada da Andis para inspeção e reparo.
10. Mantenha o fio afastado de superfícies aquecidas.
11. Nunca deixe cair ou coloque algum objeto no interior de qualquer abertura. Coloque somente o plugue do transformador de recarga no soquete do barbeador.
12. Não use em áreas externas ou opere onde estejam sendo usados produtos aerosol (spray) ou onde estiver sendo administrado oxigênio.
13. Não use este aparelho com uma lâmina ou pente quebrado ou danificado, pois isso pode provocar ferimento à pele.
14. Sempre conecte primeiro a tomada de entrada ao aparelho e depois à tomada da parede. Para desconectar, gire o controle para "desi" e em seguida remova a tomada do aparelho da tomada da parede.
15. A bateria usada neste barbeador foi projetada para operar sem problemas durante a sua vida útil máxima. Entretanto, como todas as baterias, ela acabará se desgastando. Não desmonte o barbeador para tentar substituir a bateria.
16. Verifique regularmente se o carregador da bateria não está danificado, principalmente fio, plugue e revestimento. Se o carregador da bateria estiver danificado, não deve ser usado até que seja consertado.
17. Baterias podem danificar o meio ambiente se forem descartadas de forma incorreta. Muitas comunidades oferecem programas de reciclagem ou coleta de baterias. Entre em contato com autoridades locais para obter informações sobre as práticas de descarte na sua região.
18. Ao descartar baterias antigas, cubra os terminais da bateria com fita isolante resistente para evitar curto-circuitos. **ATENÇÃO: Não tente destruir ou desmontar o barbeador, nem remover seus componentes. Além disso, nunca encoste objetos de metal e/ou partes do corpo nos terminais, para evitar riscos de curto-circuito. Mantenha o aparelho longe de crianças. O não seguimento dessas orientações pode resultar em incêndio ou lesões graves.**



19. **ATENÇÃO:** Para recarregar a bateria, use somente a unidade de alimentação removível do modelo TS-1 que acompanha o aparelho.
20. Este aparelho é fornecido somente com a voltagem super baixa de segurança correspondente ao mercado no aparelho.
21. Mantenha o aparelho seco.

## GUARDE ESTAS INSTRUÇÕES

### ADAPTADOR DE ENERGIA CA/CC UNIVERSAL

A unidade/suporte para carregamento está equipada com um adaptador de energia CA/CC universal. Cinco plugues intercambiáveis estão incluídos, permitindo o uso na maioria dos países em todo o mundo (Figuras A-E).

#### REMOÇÃO DA TOMADA DA ENTRADA:

1. Desconecte o adaptador de energia de CA/CC da tomada da parede.
2. Enquanto pressiona para baixo o botão localizado na tomada de entrada, puxe ligeiramente a tomada até que ela se solte do adaptador de corrente.

#### RECOLOCAÇÃO DA TOMADA DE ENTRADA:

1. Para recolocar a tomada de entrada, alinhe as guias no adaptador de corrente CA/CC com as ranhuras na tomada de entrada (Figura F).
2. Empurre suavemente a tomada no adaptador de energia até que ela se encaixe no lugar.

## INSTRUÇÕES DE OPERAÇÃO

- A bateria não deve ser trocada pelo usuário.
- A bateria deve ser removida do aparelho antes dele ser sucateado.
- O aparelho deve ser desconectado da fonte de alimentação ao remover a bateria.
- A bateria deve ser descartada de forma segura.

### PARA CARREGAR O BARBEADOR

**O barbeador não foi carregado na fábrica. Carregue o barbeador por no mínimo 2 horas antes do primeiro uso para obter desempenho máximo.**

Este carregador de bateria deve ser usado com uma bateria de íons de lítio modelo TS-1 da Andis com capacidade nominal de 3,7 V -- 2,96 Wh. Remova o barbeador e o adaptador de CA da caixa. Ligue o adaptador em uma tomada de 100-240 VCA ou de acordo com seus padrões locais de energia de alimentação. Observe que o interruptor LIG/DESL do barbeador deve estar na posição desligada para a bateria carregar. Insira o fio do adaptador diretamente na entrada na parte inferior do barbeador (Figura G). A luz verde indicadora de carga do barbeador acenderá. Quando a bateria estiver totalmente carregada, a luz verde apagará.

### FALHA NO CARREGAMENTO

1. Certifique-se de que há tensão na tomada da parede (confirme com um aparelho que você sabe que está funcionando).
  2. Certifique-se de que o fio do adaptador está conectado firmemente no barbeador.
- Se a falha no carregamento persistir, retorne o barbeador para a Andis ou um serviço técnico autorizado da Andis para inspeção e reparo ou troca.

### USO COM O FIO DO ADAPTADOR

Se o barbeador desligar durante o uso, o fio do adaptador pode ser conectado e o barbeador continuar a ser operado (Figura G). Quando o barbeador estiver sendo operado com o fio de alimentação conectado, a luz verde indicadora de carga fica apagada, mesmo se a bateria estiver parcial ou totalmente descarregada. O barbeador não será carregado enquanto estiver sendo usado com o fio de alimentação.

A unidade de alimentação deve ser orientada corretamente em uma posição vertical ou no piso.

### PARA FAZER A BARBA

1. Mantenha a unidade sempre limpa e seca.
2. Remova a proteção plástica da cabeça.
3. Certifique-se de que as lâminas externas e os cortadores internos não estão danificados. Substitua peças danificadas antes de usar o aparelho. Para mais informações sobre peças de reposição, contate o serviço técnico autorizado da Andis mais próximo.
4. Verifique se a bateria está carregada.
5. Lave e seque bem a pele antes de começar a se barbear.
6. Deslize o interruptor LIG/DESL para a posição ligada.
7. Gentilmente, estique a pele do rosto com a mão livre enquanto movimenta o barbeador suave e vagarosamente contra o fio da barba. Use ciclos curtos e circulares para que os fios da barba fiquem mais salientes e o barbeamento seja mais fácil. Segure o barbeador a 90 graus da face enquanto mantém a lâmina em contato com a pele.
8. Para conseguir o barbear mais rente e evitar desgaste desnecessário das lâminas, **certifique-se de que ambas as lâminas estão em contato com a pele simultaneamente em todos os momentos.** Segurar o barbeador em um ângulo em que somente uma lâmina entre em contato com a pele irá causar distorção da lâmina e poderá irritar a pele.
9. Para facilitar o corte e evitar desgaste desnecessário da lâmina, aplique o mínimo de pressão possível durante o barbear.
10. Para maximizar o conforto do corte, limpe bem o barbeador depois de cada uso.

## MANUTENÇÃO PELO USUÁRIO

A limpeza e a manutenção deste aparelho não devem ser realizadas por crianças sem a supervisão de um adulto.

Se o barbeador for permanecer fora de uso durante um longo período, guarde-o em um local seguro, fresco e seco. Não enrole o fio muito apertado em volta do barbeador. Não pendure o barbeador pelo fio de alimentação. Além da manutenção recomendada descrita neste manual, nenhuma outra manutenção deve ser realizada, exceto pela Andis Company ou por uma assistência técnica autorizada da Andis.

**IMPORTANTE:** para obter os melhores desempenhos do aparelho e resultados de barbeamento, é recomendado substituir o conjunto de lâminas e os cortadores do barbeador a cada seis meses.

### PARA TROCAR O CONJUNTO DE LÂMINAS

1. Remova o conjunto de lâminas pressionando o botão redondo de trava do conjunto, localizado no lado direito do barbeador. Segure o conjunto de lâminas pelas duas laterais e cuidadosamente levante-o para retirá-lo do barbeador (Figura H).
2. Posicione o conjunto de lâminas de reposição sobre os cortadores. Tenha cuidado para não danificar as lâminas. Gentilmente, deslize o conjunto de lâminas para baixo até ouvir um clique, indicando que se encaixou firmemente no lugar.

### PARA TROCAR OS CORTADORES

**OBSERVAÇÃO:** Sempre troque o conjunto de lâminas ao trocar os cortadores.

1. Para remover um cortador, segure-o pelos dois lados e puxe-o para cima (Figura I).
2. Para substituir um cortador, segure-o pelos dois lados, alinhe o pequeno eixo de metal na sua parte inferior com o entalhe no acionador do barbeador e empurre-o para baixo firmemente até ouvir um clique de encaixe.
3. Substitua o conjunto de lâminas.

### LIMPEZA

A limpeza regular é necessária para obter desempenho e conforto máximo ao usar seu barbeador. **NÃO** coloque o barbeador, o conjunto de lâminas ou os cortadores embaixo de água. Use somente a pequena escova (inclusa) para fazer a limpeza.

### LIMPEZA A SECO COM ESCOVA

1. Remova o conjunto de lâminas pressionando o botão redondo localizado no lado direito do barbeador. Segure o conjunto de lâminas pelas duas laterais e cuidadosamente levante-o para retirá-lo do barbeador (Figura I).

2. Bata levemente a base do conjunto de lâminas sobre uma superfície plana para que os pedaços de fios de barba caiam para fora. Não remova as lâminas, pois elas podem ser danificadas acidentalmente.
3. Escove levemente os cortadores para retirar os fios de barba presentes. Os cortadores podem ser removidos do barbeador se for necessário. Assopre quaisquer fios de barba remanescentes.
4. Substitua os cortadores e o conjunto de lâminas.

### DIRETRIZES PARA USO DE BATERIAS DE ÍONS DE LÍTIO

1. A bateria de íons de lítio incluída neste barbeador não desenvolve perda da capacidade de carga ("memory effect") como as baterias de níquel-hidreto metálico (NiMH) ou níquel-cádmio (NiCd). Você pode colocar o barbeador no carregador a qualquer momento para obter uma carga completa, ou até mesmo utilizar a bateria antes que um ciclo de carregamento esteja completo. Como a maioria das baterias recarregáveis, as baterias de íons de lítio têm melhor desempenho quando utilizadas com frequência.
2. Para maximizar a vida útil do barbeador, armazene o aparelho parcialmente descarregado caso ele vá ficar fora de uso por vários meses. Para descarregar a bateria, opere o barbeador até que ele seja desligado automaticamente.
3. Evite colocar o barbeador próximo a ventilações aquecidas e radiadores ou diretamente sob luz solar. A carga ideal é obtida em locais com temperatura estável. Aumentos súbitos na temperatura podem fazer com que a bateria receba menos do que uma carga completa.
4. Muitos fatores podem influenciar a vida útil da bateria de íons de lítio. Uma bateria que esteja em uso contínuo ou tenha mais de um ano de uso pode não proporcionar o mesmo desempenho de tempo de operação que uma bateria nova.
5. Baterias de íons de lítio novas, ou não utilizadas por um certo período, podem não aceitar uma carga completa. Isso é normal e não indica um problema na bateria ou no carregador. A bateria voltará a aceitar uma carga completa após vários ciclos de uso do barbeador e de recarga.
6. Desconecte o carregador ou o barbeador da tomada CA caso sejam previstos longos períodos sem utilização.

### DESCARTE ADEQUADO DA BATERIA

O produto que você comprou contém uma bateria recarregável. A bateria é reciclável. Ao final da sua vida útil, segundo várias leis estaduais e municipais, pode ser ilegal descartar a bateria em um canal de descarga de lixo municipal. Verifique junto às autoridades locais responsáveis pelo lixo sólido para obter detalhes na sua área sobre as opções de reciclagem ou descarte adequado.

### DESCARTE CORRETO DESTE PRODUTO

Esta marcação indica que este produto não deve ser descartado com outros dejetos domésticos em toda a UE. Para evitar possível dano ao meio ambiente ou à saúde humana devido ao descarte descontrolado de dejetos, recicle-o de forma responsável para promover a reutilização sustentável dos recursos materiais. Para devolver seu aparelho usado, use os sistemas de devolução e coleta ou entre em contato com o varejista onde o produto foi comprado. Você pode levar este produto para reciclagem ambiental segura.



### SERVIÇO DE REPARO DA FÁBRICA

Quando os cortadores do barbeador Andis se desgastarem após uso repetido, recomendamos que compre um novo conjunto de lâminas e cortadores, disponível através do seu fornecedor da Andis ou de uma assistência técnica autorizada da Andis. Se desejar que o seu barbeador também seja submetido a manutenção, embale-o cuidadosamente e envie-o por correio, via entrega registrada ou U.P.S., para qualquer assistência técnica autorizada da Andis. **Se tiver alguma dificuldade de encontrar um revendedor da Andis, contate o departamento de atendimento ao cliente da Andis Company pelo telefone 1-262-884-2600 (EUA) ou envie e-mail para info@andisco.com. Para encontrar uma assistência técnica autorizada próxima, acesse o site www.andis.com ou entre em contato com o departamento de atendimento ao cliente pelo telefone 1-262-884-2600 (EUA) ou e-mail info@andisco.com.**

在使用您的新 Andis 剃须刀之前请阅读以下说明。本器械优质精巧，请小心爱惜，以供您长期使用。

### 重要的安全事项

当您使用电器时，应始终遵循一些基本注意事项，包括以下几点：使用 Andis 剃须刀之前请阅读所有说明。请不要让儿童使用本产品。

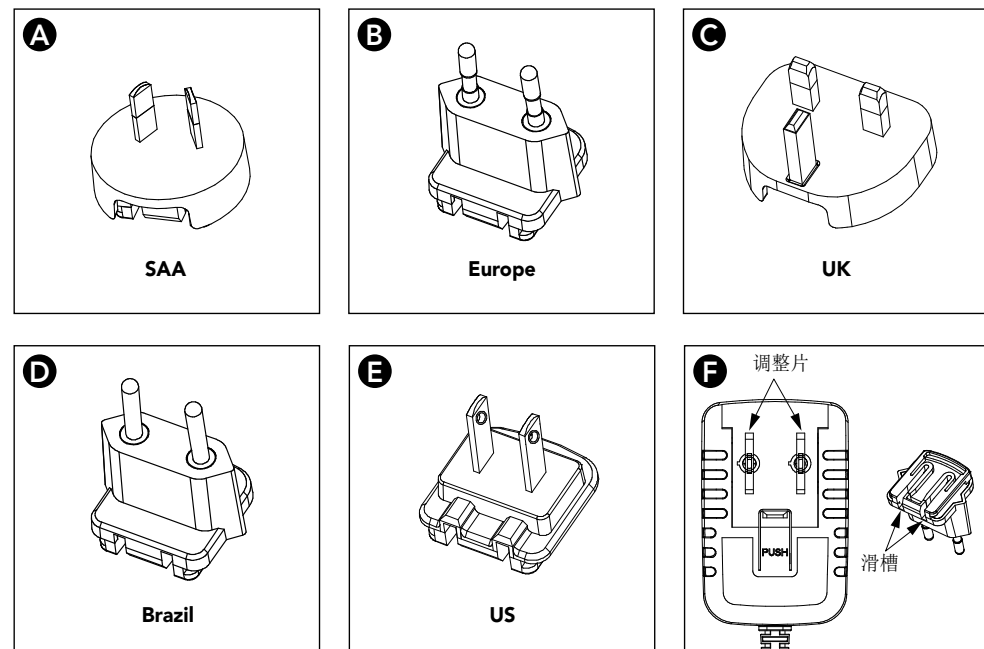
**危险：** 要降低电击风险，请注意以下事项：

1. 请不要接触落入水中的电器。立即拔出插头。切勿在靠近水的地方使用电剪。
2. 请勿在洗澡和淋浴时使用。
3. 请勿在可能会跌入或拖入浴盆或浴池的地方放置或存放电器。请勿将电器放入或掉入水中或其他液体中。
4. 总是在使用后立即拔出此电器与电源插座连接的接头。抓住并拖动插头（而不是电源线）将其拔出。
5. 在清洁、拆卸或组装部件之前拔出此电器的插头。

**警告：** 要避免烧伤、起火、电击或人身伤害，请执行以下操作：

1. 将此电器插入电源时，应该一直有人在场看守。
2. 本电器可供 8 岁或 8 岁以上儿童和身体不健全、感官或智力能力缺乏或者缺少经验和知识的人员使用，但是这些人员需要在监督和指导下安全使用本电器，且了解相关的危险。
3. 警告：仅允许 8 岁以上的儿童使用此电池充电器。请给予儿童充分的说明让其能够以安全的方式使用该电池充电器，并向其解释该电池充电器并不是可以玩耍的玩具。
4. 由于有爆炸的危险，请告知儿童不要尝试给非充电电池再充电。
5. 本设备不供身体不健全、感官或智力能力缺乏或者缺少经验的人员（包括儿童）使用，这些人员需要在监督和指导下使用本设备，且需要有人负责其安全。
6. 儿童在没有监督的情况下不能对本电器进行清洁和用户维护。
7. 儿童不可玩弄本电器。
8. 此电器仅用于本手册中说明的用途。请勿使用非 ANDIS 推荐的附件。
9. 请勿在以下情况使用此电器：此电器的电源线或插头损坏、此电器工作不正常、此电器落地摔坏或损坏或掉落水中。请将此电器返回到 ANDIS 授权的维修站进行检查和维修。
10. 请将电源线远离热表面。
11. 切勿将任何物体掉入或插入到任何开口中。仅将充电变压器插头插入剃须刀插座。
12. 请勿在户外使用，或在使用气雾（喷雾）产品或输氧的环境中使用。

13. 请勿将此电器与损坏的梳子或断裂的刀片一起使用，因为这可能会划伤皮肤。
14. 始终先将插头与设备连接，然后再插入插座。要断开电源，请将控件调节为“关”，然后从电源插座拔出插头。
15. 此剃须刀中的电池旨在确保无故障的最长使用寿命。不过，像所有其他电池一样，它最终也会耗尽。请勿拆卸剃须刀并尝试更换电池。
16. 定期检查电池充电器的损坏情况，尤其是线缆、插头和外壳。如果电池充电器已损坏，则必须在修理好后才能使用。
17. 如果处置不正确，电池会对环境造成危害。许多社区都提供了电池回收利用或电池收集服务。请与当地的政府部门联系以了解您所在地区的电池处置方法。
18. 在丢弃废旧电池时，请使用厚胶带盖住电池接触端，以防止出现短路情况。警告：请勿尝试破坏或拆卸剃须刀，或卸下其中的组件。此外，切勿将金属物体和/或身体部位接触金属接触端，因为这样可能会导致短路。切勿让儿童接触。如果未能遵守这些警告说明，则可能会导致火灾或严重的人身伤害。
19. 警告：为了给电池充电，只能采用本电器的配套电池装置，型号为 TS-1。
20. 此设备的供电只能通过与设备上标记的安全特低电压对应的电压进行。
21. 请保持电器干燥。



## 请保存这些说明

### 通用型交流电/直流电电源适配器

此装置/充电座配备有一个通用型交流电/直流电电源适配器。包含五个可互换式输入插头，可在全世界大多数国家/地区使用（图 A-E）。

#### 移除输入插头：

1. 从壁式电源插座中拔出 AC/DC 电源适配器。
2. 在按下输入插头上的按钮时，将插头轻轻地向上推，直至将其从电源适配器上拔出。

#### 更换输入插头：

1. 如要更换输入插头，利用输入插头上的滑槽将 AC/DC 电源适配器上的调整片对齐（图 F）。
2. 将输入插头轻轻地插入电源适配器，直至其卡入到位。

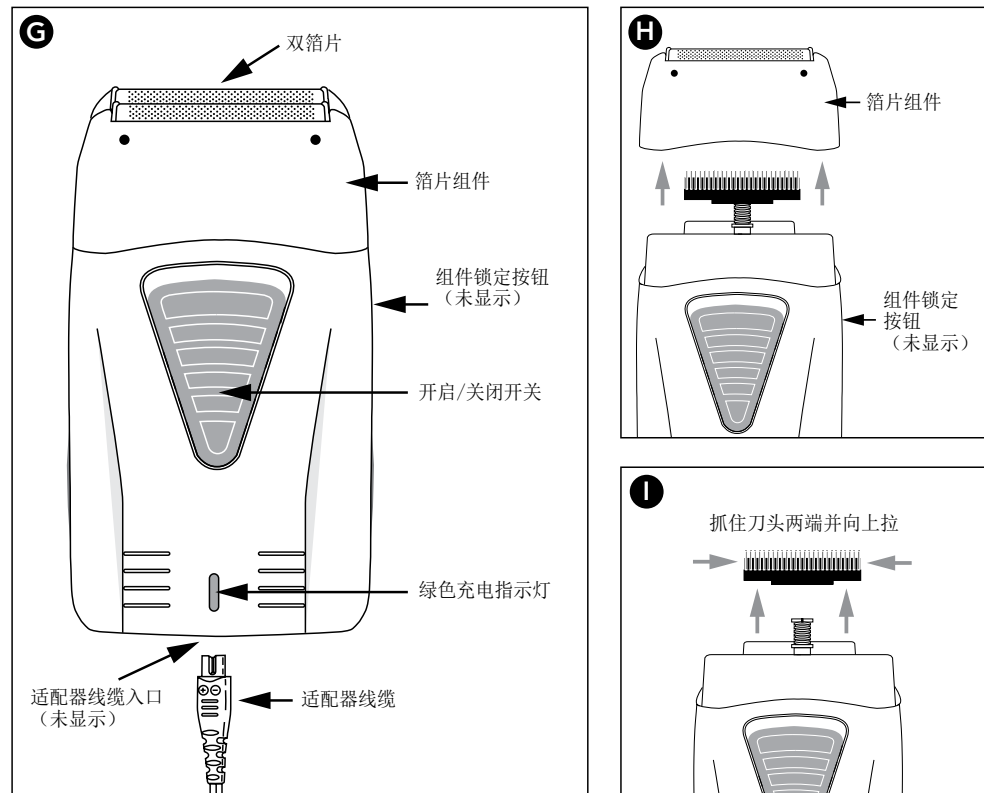
## 操作说明

- 用户不得自行更换电池。
- 电池报废之前必须将其从设备中拆卸下来。
- 在拆卸电池时，设备必须与电源线断开连接。
- 要安全地处理电池。

### 剃须刀充电

剃须刀出厂时并未充电。要达到最佳性能，请在第一次使用前至少将剃须刀充电 2 个小时。

此电池充电器适用于额定容量为 3.7V 2.96Wh 的 Andis TS-1 锂离子电池。从包装盒中取出剃须刀和交流电电源适配器。将适配器插入 100-240V 的交流电源插座中，或根据您当地的电源标准将其插入。请注意，电池充电时剃须刀的开启/关闭开关必须处于关闭位置。将适配器线缆直接插入剃须刀底部（图 G）。剃须刀上的绿色充电指示灯将亮起。电池充满后，绿色充电指示灯将熄灭。



## 充电失败

1. 确保壁装电源插座的电压充足（可以使用您了解的其他设备进行检查）。
  2. 进行检查以确保适配器线缆已牢固地插入剃须刀中。
- 如果充电还是失败，请将剃须刀送返 Andis 或 Andis 授权的服务站进行检查、维修或更换。

## 连接适配器线缆使用

如果剃须刀在使用过程中关闭，可连接电源线，以有线方式继续使用（图 G）。在连接电源线的情况下使用剃须刀时，绿色充电指示灯会熄灭，即使电池已部分或全部放电。连接线缆使用时，剃须刀将不会充电。

供电装置应以垂直或落地式安装的方向正确放置。

## 若要剃须，请：

1. 始终保持装置清洁、干燥。
2. 移除塑料防护套。
3. 进行检查以确保外部箔片和内部刀头未损坏。在使用前更换损坏部件。有关更换部件的详细信息，请联系 Andis 或最近的 Andis 授权服务站。
4. 确保电池已充满。
5. 在剃须前彻底清洗并擦干皮肤。
6. 滑动开启/关闭开关至开启位置。
7. 当您剃须时，请用双手轻柔地拉伸您的脸部皮肤。在脸部短时期圈会使脸部毛发竖立，使剃须更简单。当与箔片保持接触时，请握住剃须刀，使其与您的脸部保持 90 度。
8. 为了实现更彻底的剃须并避免不必要的箔片磨损，请始终确保两个箔片与皮肤同时接触。以只有一个箔片接触皮肤的角度接触剃须刀将导致箔片变形，并可能会刺激皮肤。
9. 为帮助剃须并避免箔片磨损，将剃须刀应用于皮肤时请使用最小压力。
10. 要使剃须舒适度最大化，请确保在使用后彻底清洁剃须刀。

## 用户维护

儿童在没有监督的情况下不能对本电器进行清洁和用户维护。

如果将长时间不使用剃须刀，请将其存放在安全、凉爽和干燥处。请勿将线缆紧紧缠绕在剃须刀上。请勿通过电源线悬挂剃须刀。除了本手册中说明的建议维护之外，无须再进行其他维护，除非 Andis 公司或 Andis 特约维修站要求进行维护。

**重要：**为了实现最佳剃须刀性能和剃须效果，建议您每六个月更换剃须刀的箔片组件和刀头。

## 要更换箔片组件，请：

1. 按下位于剃须刀右侧的圆形装置锁定按钮，移除箔片组件。抓住箔片组件两端，轻轻地将其从剃须刀中提起并取出（图 H）。
2. 将用于更换的箔片组件置于刀头上方。请注意不要损坏箔片。轻轻地向下滑动箔片组件，直到其牢固地嵌入到位。

## 要更换刀头，请：

注：请始终在更换箔片时更换刀头。

1. 要移除刀头，请抓住刀头两端并向上拉（图 I）。
2. 要更换刀头，请抓住刀头两端并排列其底部的小型金属轴，使剃须刀上的槽口打开，紧紧向下压，直到其嵌入到位。
3. 更换箔片组件。

## 清洁

必须进行常规清洁，以使您的剃须刀保持最佳性能和最大舒适度。请勿在水中运行剃须刀、箔片组件或刀头。只能使用小刷子（内含）进行清洁。

## 用刷子进行干式清洁

1. 按下位于装置右侧的圆形按钮，移除箔片组件。抓住箔片组件两端，轻轻地将其从剃须刀中提起并取出（图 I）。
2. 在平面上轻敲箔片组件底部，使其中的毛发掉落。请勿移除箔片，否则它们可能会在无意中损坏。
3. 轻轻地刷去刀头上的毛发。如有必要，您可以将刀头从剃须刀中移除。吹出剩余的零碎毛发。
4. 更换刀头和箔片组件。

## 锂电池使用指南

1. 剃须刀随附的锂电池没有“记忆效应”，与镍金属氢化物（NiMH）或镍镉（NiCd）电池类似。您可以在任何时间将剃须刀装入充电器，将其充满电，或者甚至可在充电周期完成之前使用电池。与大多数可充电电池类似，锂电池越频繁使用，性能越好。
2. 如果将好几个月不使用此装置，要使电池寿命最长，请以部分放电的状态存放剃须刀。要对电池放电，请运行剃须刀，直到其自行关闭。
3. 避免将剃须刀放置在散热孔、散热器附近，或暴露在直射阳光下。温度稳定时，充电效果最佳。温度骤增会导致电池组无法充满全部电量。
4. 很多因素会影响锂电池的使用寿命。频繁使用或使用超过一年的旧电池，可能无法像新电池组一样实现相同的运行时性能。
5. 新锂电池，若长时间未使用，可能无法充满电。这是正常的，并不表明电池或充电器存在问题。剃须刀使用并充电几次后，电池就可以充满电。
6. 如果想要长时间不使用，请将充电器或剃须刀从交流电源插座中拔出。

## 合理的电池废弃处理

您购买的产品中有一个可充电电池。此电池是可回收的。根据多个国家以及地区的法律，在电池使用寿命结束时将其与城市垃圾排放一起进行处理可能是违法的。与您当地的固体废物管理部门取得联系，以获取该地区关于回收选择和正确处理的详细信息。

## 本产品的正确处理办法

此标志表示在欧盟地区本产品不应同其他家庭废弃物一同进行处理。为防止因不受控制的废弃物处理而对环境或人身健康可能造成的危害，请负责地对其进行回收，以提高材料资源的可持续再利用。要返回使用过的设备，请使用返回和收集系统，或者联系出售此产品的零售商。他们可以使用此产品进行环境安全回收利用。



## 工厂修理服务

当您的 Andis 剃须刀刀头经过重复使用变得不锋利时，建议您通过 Andis 供应商或通过 Andis 授权维修站购买一套新的刀头和箔片组件。如果您还需要维修剃须刀，请将其仔细包装好，然后（通过挂号邮政包裹或 U.P.S.）邮寄到任意维修中心。如果您无法联系到 Andis 供应商，请联系 Andis 公司客户服务部门：1-262-884-2600 或发送邮件至 info@andisco.com。要查找您附近的 Andis 授权服务站，请登录 www.andis.com 或联系我们的客户服务部门：1-262-884-2600（美国），或发送邮件至 info@andisco.com。



## Model TS-1 (100-240V, 50/60 Hz)

To find an Andis Authorized Service Station or access this manual online go to **www.andis.com**

Si vous souhaitez trouver un point de service autorisé Andis ou encore consulter ce guide en ligne, rendez-vous sur **www.andis.com**

Para encontrar un centro de servicio autorizado de Andis o para acceder a este manual en línea, visite **www.andis.com**

Rufen Sie die Website **www.andis.com** auf, um von Andis autorisierte Kundendienststellen oder die Online-Version dieser Betriebsanleitung zu finden.

Per trovare un centro di assistenza autorizzato Andis, o per visualizzare questo manual online, visitare il sito **www.andis.com**

Om een door Andis erkend servicenter te zoeken of deze handleiding online te openen, gaat u naar **www.andis.com**

Para encontrar um serviço técnico autorizado perto de você ou ver este manual on-line, acesse o site **www.andis.com**

如需查找 Andis 授权的维修站或访问在线阅读手册，请访问 **www.andis.com**

### REPRESENTANTE NO BRASIL:

Brazil Representative:

**Alfalog Importadora, Logística e Distribuidora de Cosméticos Ltda.**

Rodovia BR101, 7655 Km118,5 – Sala 03 – Cordeiros.

CEP: 88.311-765 Itajaí – SC – Brasil CNPJ 19.510.206/0003-51

### ASSISTÊNCIA TÉCNICA AUTORIZADA NO BRASIL:

Para localizar um **Posto de Assistência Técnica Autorizada**

**Salon Line** acesse o site: **www.salonline.com.br** ou ligue para o **SAC 0800 272 7272 / 11-4134-2727**. Teremos o prazer de indicar a Assistência Técnica mais próxima.

# andis®

©2015 ANDIS COMPANY

1800 Renaissance Blvd., Sturtevant, WI 53177 U.S.A.  
1-262-884-2600 **www.andis.com** info@andisco.com